

Dell™ PowerEdge™ 2420

Installation Guide

Guide d'installation

Installationsanleitung

設置ガイド

Guía de instalación



Dell™ PowerEdge™ 2420

Installation Guide



Notes, Cautions, and Warnings



NOTE: A NOTE indicates important information that helps you make better use of your computer.



CAUTION: A CAUTION indicates potential damage to hardware or loss of data if instructions are not followed.



WARNING: A WARNING indicates a potential for property damage, personal injury, or death.

Information in this document is subject to change without notice.

© 2008 Dell Inc. All rights reserved.

Reproduction of these materials in any manner whatsoever without the written permission of Dell Inc. is strictly forbidden.

Dell, the *DELL* logo, and *PowerEdge* are trademarks of Dell Inc.

Other trademarks and trade names may be used in this document to refer to either the entities claiming the marks and names or their products. Dell Inc. disclaims any proprietary interest in trademarks and trade names other than its own.

Contents

Safety Instructions	5
SAFETY: Rack Mounting of Systems	5
Installation Instructions	5
Rack Requirements	6
Rack Installation	6
Before You Begin	6
Installation Tasks	7
Recommended Tools and Supplies	7
Removing and Replacing the Rack Doors	8
Removing and Replacing the Side Panels	11
Reversing the Front Door (optional)	12
Securing the Rack Leveling Feet	18
Installing the Rack Stabilizer Feet	20
Adjusting the Rack Posts (optional)	22
Routing Cables	23
 Index	 27

Safety Instructions

Use the following safety guidelines to ensure your own personal safety and to help protect your system and working environment from potential damage. For complete safety and regulatory information, see the safety instructions that shipped with your system. Warranty information might be included in this document or as a separate document.

SAFETY: Rack Mounting of Systems

Observe the following precautions for rack stability and safety. Also refer to the rack installation documentation accompanying the system and the rack for specific caution statements and procedures.

Systems are considered to be components in a rack. "Component" refers to any system as well as to various peripherals or supporting hardware.



CAUTION: Instructions for Rack-Mounted Systems:

- Your rack kit has been approved only for the rack cabinet provided. It is your responsibility to ensure that installation of the equipment into any other rack complies with all applicable standards. Dell disclaims all liability and warranties with respect to combinations of equipment with any other rack.
- Before installing your equipment in a rack, install all front and side stabilizers. Failure to install stabilizers can allow the rack to tip over.
- Always load from the bottom up, and load the heaviest items first.
- Do not overload the AC power supply branch circuit that provides power to the rack.
- Do not stand or step on any components in the rack.

Installation Instructions

This installation guide provides instructions for trained service technicians installing a 24-unit (U) rack. Information includes assembling the rack and routing cables through the rack. The 24-U rack can be installed using the recommended tools.

Rack Requirements



CAUTION: The 24-U rack meets the specifications of American National Standards Institute (ANSI)/Electronic Industries Association (EIA) standard ANSI/EIA-310-D-92, Consumer Electronics Association (CEA) Standard CEA-310-E, International Electrotechnical Commission (IEC) 297, and Deutsche Industrie Norm (DIN) 41494.

Rack Installation

Before attempting this installation, you should read through this entire procedure carefully.

Before You Begin



WARNING: Before you begin installing your rack, carefully read "Important Safety Information," as well as the safety instructions that came with the rack.



WARNING: When installing multiple systems in a rack, complete all of the procedures for the current system before attempting to install the next system.



WARNING: Rack cabinets can be extremely heavy and move easily on the casters. The cabinet has no brakes. Use extreme caution while moving the rack cabinet. Retract the leveling feet when relocating the rack cabinet. Avoid long or steep inclines, rough surfaces, or ramps where loss of cabinet control may occur. Extend the leveling feet for support and to prevent the cabinet from rolling.



WARNING: Avoid rolling the rack cabinet over rough surfaces. Hard impacts to the casters could cause them to break, and the rack could become unstable and tip over.



WARNING: Do not attempt to move your rack with components installed. If you move a fully loaded rack on a slightly uneven floor surface, the rack may become unstable and tip over.

Important Safety Information


Observe the safety precautions in the following subsections when installing your system in the rack.




WARNING: You must strictly follow the procedures in this document to protect yourself as well as others who may be involved. Your system may be very large and heavy, and proper preparation and planning are important to prevent injury to yourself and to others. This becomes increasingly important when systems are installed high up in the rack.

 **WARNING:** For stability, you must ensure that a minimum of 50 lbs. is installed in the bottom 3-U spaces of the rack cabinet.

Rack Stabilizer Feet

 **WARNING:** Installing systems in a rack without the front and side stabilizer feet installed could cause the rack to tip over, potentially resulting in bodily injury under certain circumstances. Therefore, always install the stabilizer feet before installing components in the rack.

 **WARNING:** After installing systems in a rack, never pull more than one system out of the rack on its slide assemblies at one time. The weight of more than one extended system could cause the rack to tip over and cause injury.

The stabilizer feet help prevent the rack from tipping over when a system or other component is pulled out of the rack with the slide assemblies fully extended.

Installation Tasks

Installing a rack cabinet involves performing the following tasks:

- 1 Removing and replacing the rack doors
- 2 Removing and replacing the side panels
- 3 Reversing the front door and badge (optional)
- 4 Securing the leveling feet
- 5 Installing the stabilizer feet
- 6 Adjusting the rack posts (optional)
- 7 Routing cables through the rack

Recommended Tools and Supplies

You may need the following tools and supplies to install the rack:

- #2 Phillips screwdriver
- Flat head screwdriver
- 12-mm wrench
- Needle-nose pliers
- 4-mm Allen wrench (if you want to reverse the direction the front door opens)

- Keys to the rack doors and side panels (included in the rack kit)
- 13-mm wrench (for rack removal from pallet)
- 17-mm wrench (for rack removal from pallet)

Removing and Replacing the Rack Doors

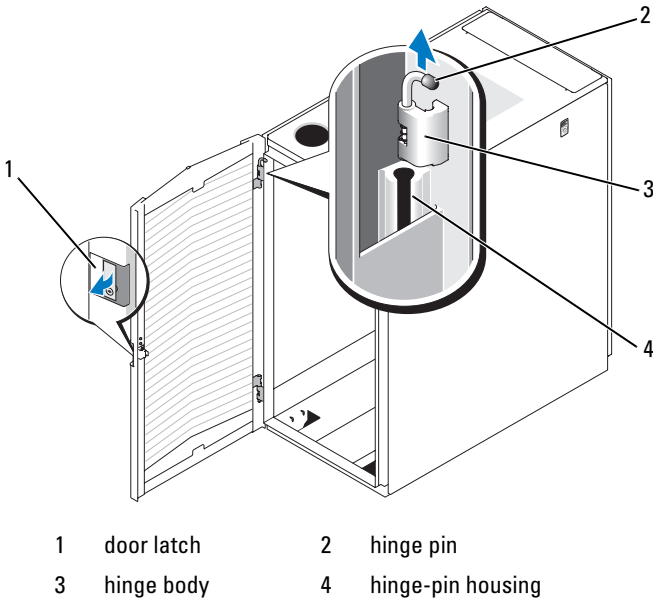
⚠ WARNING: When storing the doors, lay the doors flat so they cannot fall over and accidentally injure someone.

Removing the Front Door

- 1 Pull the door latch and open the front door all the way (see Figure 1-1).
- 2 While holding the door, pull the top hinge pin upward so that it clears the door's hinge-pin housing (see Figure 1-1).

The hinge pin's retention clip prevents the hinge from being pulled out of the hinge body.

Figure 1-1. Removing the Front Door



- 3 While holding the hinge pin out of the door's hinge-pin housing, pull the door slightly away from the rack so that the door clears the hinge body.
- 4 Release the hinge pin.
- 5 Lift the door upward so that the door clears the bottom hinge post

⚠ WARNING: Due to the size and weight of the door, it is recommended that you lay the removed door flat with the outer surface facing upward.

- 6 Lay the door in a safe location with the door's outer surface facing upward. Laying the door flat with the outer surface facing upward will help prevent damage to the door's badge and cosmetic coating.

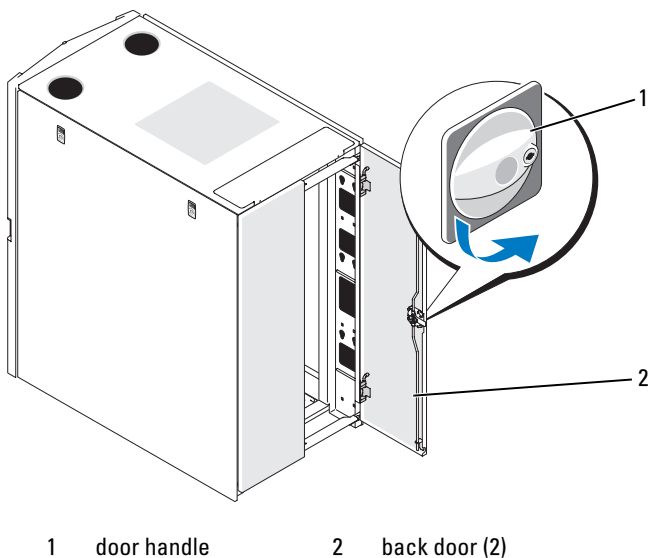
Replacing the Front Door

To replace the front door, perform the steps for removal in reverse.

Opening and Removing the Back Doors

- 1 Turn the door handle and open the back doors (see Figure 1-2).

Figure 1-2. Opening the Back Doors



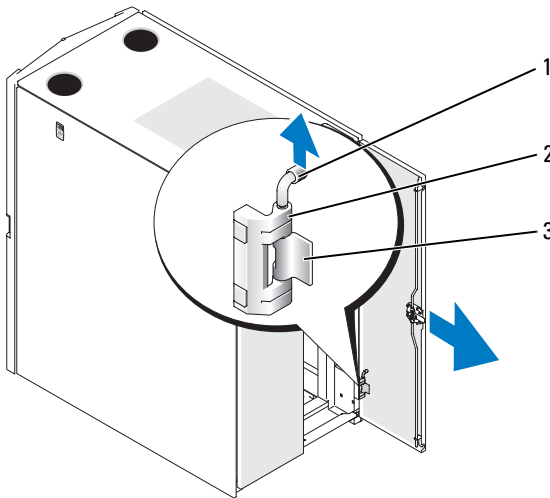
2 Remove the right door.

- a** While supporting the door, pull the pin for the top hinge out of the door's hinge-pin housing (see Figure 1-3).

You will hear a click as you pull the pin out of the door's hinge-pin housing. The hinge pins are designed to prevent them from being pulled out of the hinge body.

- b** Repeat step a for the bottom hinge.
c Pull the door away from the rack.

Figure 1-3. Removing the Back Doors



- 1 hinge pin 2 hinge body
3 hinge-pin housing



WARNING: Due to the size and weight of the door, it is recommended that you lay the removed door flat with its outer surface facing upward.

- d** Lay the door in a safe location with the door's outer surface facing upward.

Laying the door flat with the outer surface facing upward will help prevent damage to the door's cosmetic coating.

- e** Repeat steps a through d for the left door.

Replacing the Back Doors

To replace the back doors, perform the steps for removal in reverse.

Removing and Replacing the Side Panels



CAUTION: Reinstalling the side panels is necessary before running systems in the rack to ensure proper cooling within the rack.



NOTE: You must remove the side panels in order to install the side stabilizer feet.



NOTE: Although removing the side panels is not mandatory for installing systems in a rack, having the sides open makes it easier to install slide assemblies and support rails and to reverse the direction that the front door opens.

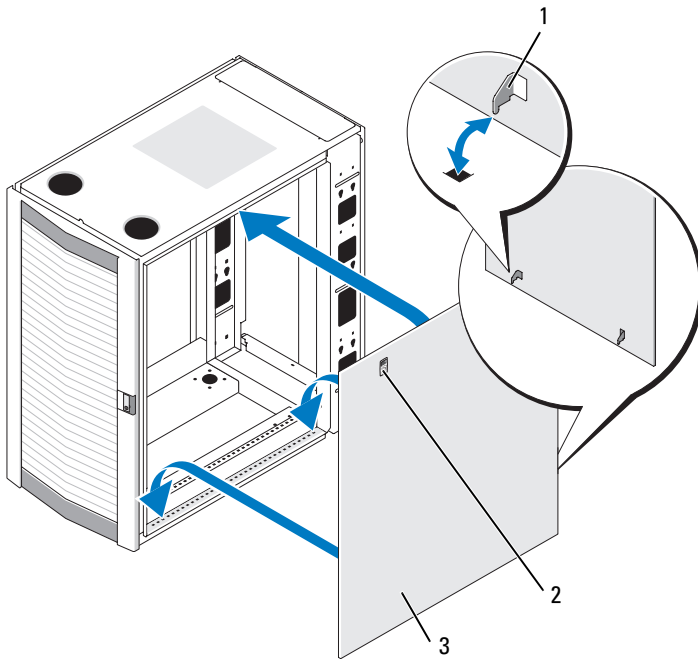
Removing the Side Panels

- 1 Pull both latches down and allow the side panel to swing outward slightly at the top (see Figure 1-4).
- 2 Firmly grasp the sides of the panel.
- 3 Lift the panel upward until the panel hooks clear the holes in the bottom of the rack frame.
- 4 Place the panel in a safe location with the panel's outer surface facing upward to help prevent damage to its cosmetic coating.
- 5 Repeat step 1 through step 4 for the other side panel.

Replacing the Side Panels

- 1 Lower the panel into the rack, inserting the back panel hook into the back hole in the bottom of the rack frame and the front hook into the corresponding hole in the front of the rack frame (see Figure 1-4).
- 2 Swing the top end of the panel towards the rack.
- 3 Press the panel into the rack until both latches lock into place.

Figure 1-4. Replacing the Side Panels



- 1 panel hook (2)
- 2 latch (2)
- 3 side panel (2)

Reversing the Front Door (optional)

NOTE: Use a 4-mm Allen wrench to remove the front-door hinge bodies from the rack and reinstall them on the side opposite their original positions.

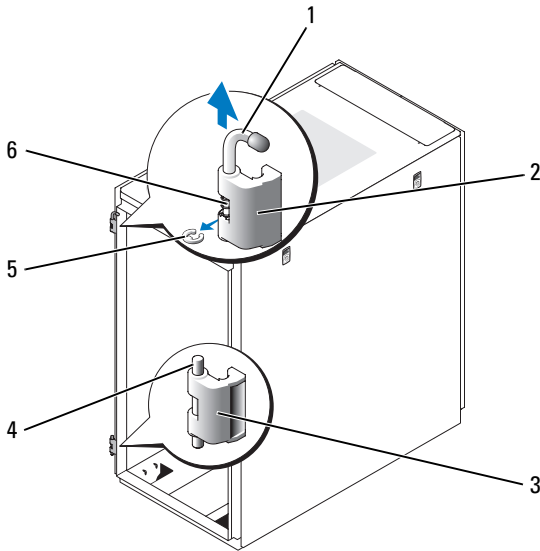
To reverse the direction that the front door opens, complete the following steps:

- 1 Remove the front door (see "Removing the Front Door" on page 8).
- 2 Remove the side panels (see "Removing and Replacing the Side Panels" on page 11).

3 Reverse the top hinge body.

- a** Pull the hinge pin upward slightly so that you can access the retention clip (see Figure 1-5).

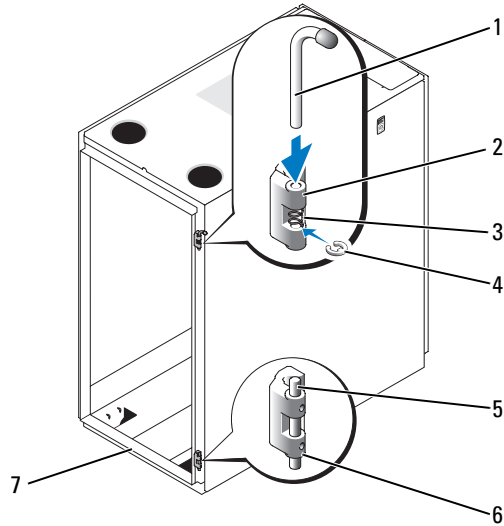
Figure 1-5. Removing the Front-Door Hinges



- | | | | |
|---|----------------|---|----------------|
| 1 | hinge post | 2 | top hinge body |
| 3 | bottom hinge | 4 | hinge pin |
| 5 | retention clip | 6 | body spring |

- b** Using the needle-nose pliers, remove the retention clip, and then slide the hinge pin out of the hinge body.
- c** Remove the hinge spring from the hinge body.
- d** Place the hinge pin, retention clip, and spring in a safe location.
- e** Using the 4-mm Allen wrench, remove the Allen bolts that secure the hinge body to the rack, and place the bolts with the hinge pin, retention clip, and body spring.
- f** Rotate the hinge body 180 degrees so that the hinge-pin holes are now on the right side of the hinge body (see Figure 1-6).

Figure 1-6. Reversing the Top and Bottom Hinges

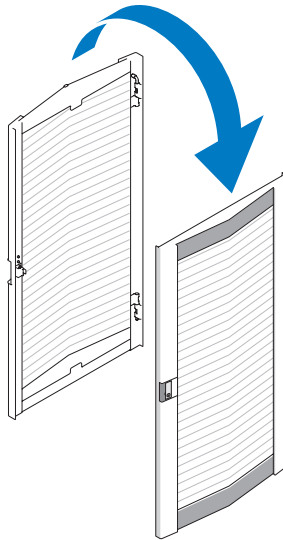


- | | | | |
|---|---------------|---|-------------------|
| 1 | hinge pin | 2 | top hinge body |
| 3 | spring | 4 | retention clip |
| 5 | hinge post | 6 | bottom hinge body |
| 7 | front of rack | | |

- g** Locate the top bolt holes in the right side of the rack, and fasten the hinge body to the right side of the rack with the Allen bolts.
- h** Insert the spring between the top and bottom hinge-pin holes in the bottom hinge body.
- i** Slide the hinge pin into the hinge body.
- j** Insert the retention clip through the hinge so that the retention clip is below the spring.

- 4 Reverse the bottom hinge body.
 - a Remove the Allen bolts that secure the hinge body to the rack, and place the bolts in a safe location.
 - b Rotate the hinge body 180 degrees so that the hinge posts are now on the right side of the hinge body (see Figure 1-6).
 - c Locate the bottom bolt holes in the right side of the rack, and use the Allen bolts to fasten the hinge body to the right side of the rack.
- 5 Rotate the front door 180 degrees so that its hinge-pin housings are on the right side (see Figure 1-7).

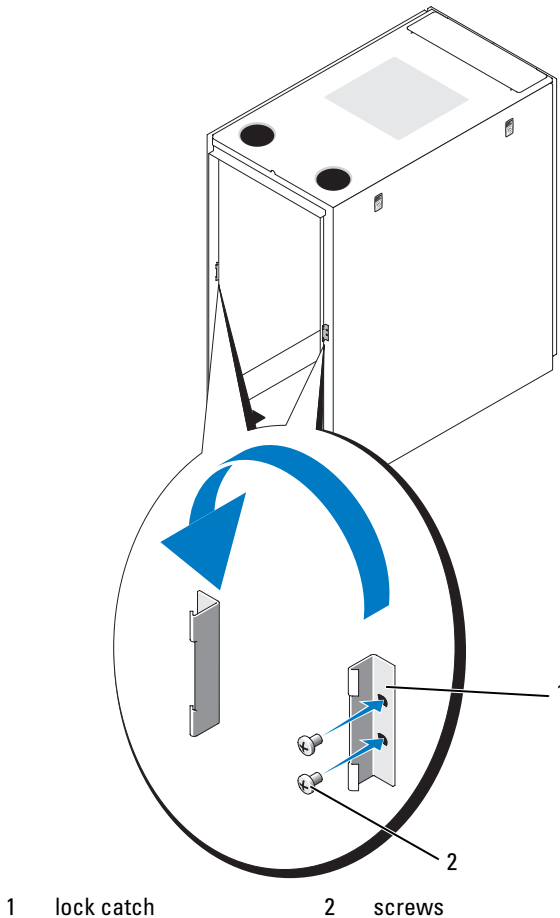
Figure 1-7. Rotate Front Door



- 6 Rehang the front door by reversing the steps in "Removing the Front Door" on page 8."

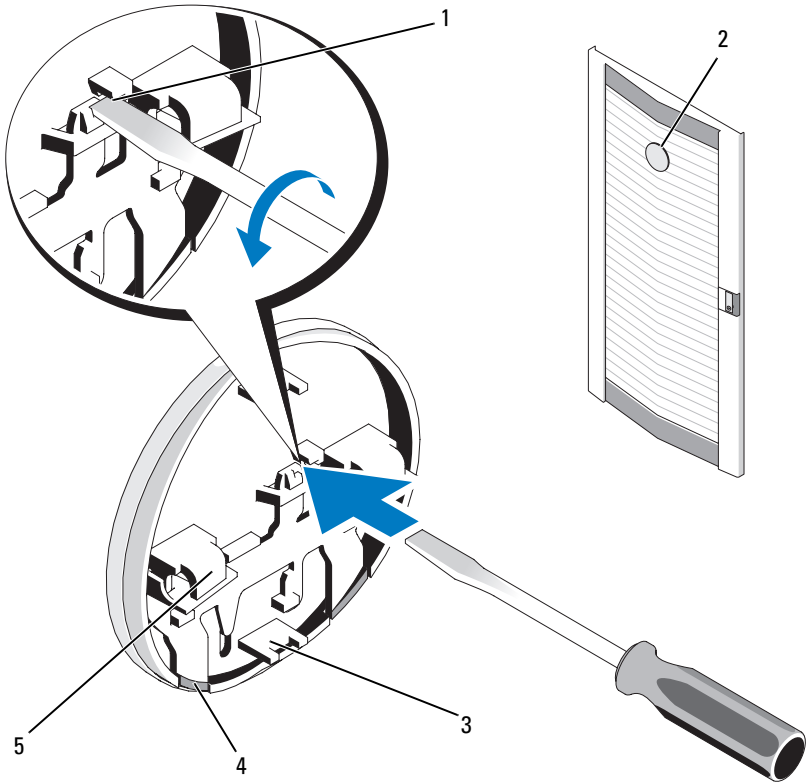
- 7** Reverse the lock catch.
- a** Unscrew the two Phillips screws that hold the lock catch to the rack's vertical frame member.
 - b** Remove the lock catch and rotate it 180 degrees.
 - c** Reinstall the lock catch on the other rack front vertical frame member by aligning the holes of the catch with the holes of the frame member and then reinserting the two Phillips screws.

Figure 1-8. Reversing the Front Door Lock Catch



- 8** Reverse the badge on the front door.
- a** Open the front door.
 - b** From inside the door, insert a flat-head screwdriver into the badge release notch (see Figure 1-9).

Figure 1-9. Reversing the Front Door Badge




- | | | | |
|---|---------------------|---|--------------------------|
| 1 | badge release notch | 2 | front door badge |
| 3 | center tab (2) | 4 | badge retention clip (2) |
| 5 | badge hook (2) | | |


- c Push the screwdriver into the notch until it stops and turn it counter-clockwise.
- d Lift up on the badge and pull it off the door.
- e Rotate the badge 180 degrees so that it will read correctly when reinstalled.
- f Locate the fourth horizontal bar from the top of the door and slide the badge hooks over it, aligning the center tabs on the badge with the vertical bar on the door.
- g Push up on the badge retention clips until they are closed and the badge is secure.


Securing the Rack Leveling Feet


 **WARNING:** Read all statements below before you adjust the leveling feet.


Your rack includes four leveling feet, which are mounted on the corners of the rack. The leveling feet are designed to align the rack in an upright, level position when the rack is situated on a slightly uneven floor surface. Before you install your systems in the rack, deploy and adjust the leveling feet. When you level your rack, follow these guidelines.

 **WARNING:** When you adjust the leveling feet, ensure that the casters on each corner of the rack do not rise more than 9.5 mm (3/8 inch) above the floor. If you exceed 9.5 mm of clearance between the floor and the casters as you adjust the leveling feet, *slowly* retract the leveling feet, and then move the rack to another location that requires minimal adjustments to the leveling feet.

 **WARNING:** Adjust the leveling feet until each leveling foot rests firmly on the floor. Proper contact with the floor ensures that each leveling foot is supporting the weight of the rack and prevents the rack from swaying in any direction. If the leveling feet are not all in firm contact with the floor, the rack can become unstable and tip over.

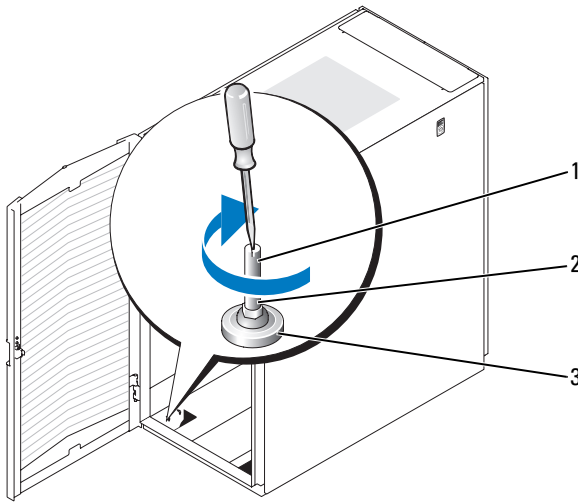
 **WARNING:** Do not attempt to move your rack with the leveling feet deployed. Always retract the leveling feet before moving the rack. Having the leveling feet deployed when you move the rack may cause the rack to tip over.

 **WARNING:** Always level the rack and install the stabilizing feet before you install your systems. A fully loaded rack may tip over if your rack is resting on an uneven floor surface and the leveling and stabilizing feet are not supporting the weight of the rack.

 **NOTE:** If the rack is not leveled properly, you might not be able to install the stabilizer feet, which are necessary to prevent the rack from tipping over.

- 1 Using a screwdriver, lower the leveling foot until it rests on the floor.
- 2 If you need to lower the foot further, tighten the hex nut clockwise with a 12-mm wrench (see Figure 1-10).

Figure 1-10. Adjusting the Leveling Foot



- | | | | |
|---|--------------------|---|---------|
| 1 | leveling foot stem | 2 | hex nut |
| 3 | leveling pad | | |

- 3 Repeat steps 1 and 2 for the remaining leveling feet.
- 4 Ensure that the rack is level.

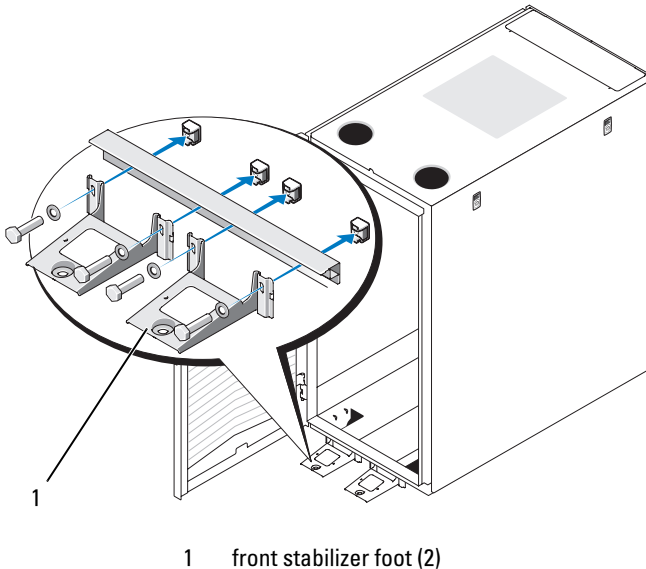
Installing the Rack Stabilizer Feet

⚠ WARNING: Installing systems in a rack without the front and side stabilizer feet installed could cause the rack to tip over, potentially resulting in bodily injury under certain circumstances. Therefore, always install the stabilizer feet before installing components in the rack.

Installing the Front Stabilizer Feet

- 1 Open the front door.
- 2 Reach into the rack and pull up firmly on each stabilizer to detach them from the frame.
- 3 Remove the plastic fasteners attached to the stabilizer feet.
- 4 Position each front stabilizer foot against the base of the rack frame and align its holes with the corresponding holes in the frame.
- 5 Use the provided bolts, washers, and cage nuts to secure each foot to the rack as shown in Figure 1-11.

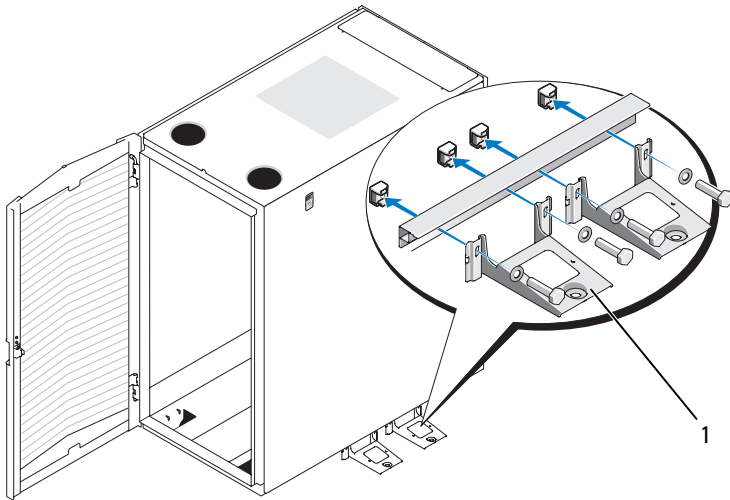
Figure 1-11. Installing the Front Stabilizer Feet



Installing the Side Stabilizer Feet

- 1 Remove the side panel.
- 2 On the side of the rack frame's bottom rail, locate the four holes (see Figure 1-12).
- 3 Position each stabilizer foot against the base of the rack frame and align its holes with the corresponding holes in the frame.

Figure 1-12. Installing the Side Stabilizer Feet



1 side stabilizer foot (2 per side)

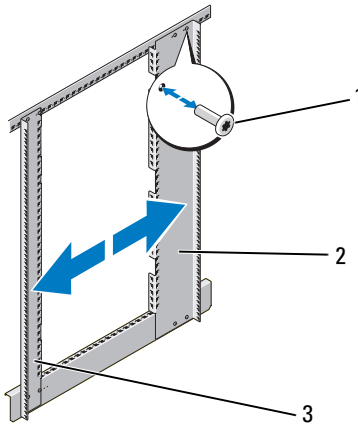
- 4 Use the provided bolts, washers, and cage nuts to secure each foot to the rack as shown in Figure 1-12.

Adjusting the Rack Posts (optional)

The position of the rack posts can be adjusted to accommodate systems of various depths.

- 1 Open the rack doors.
- 2 Remove the screws from the bottom and top of the post (see Figure 1-13).
- 3 Move the post to the desired location inside the side of the rack, and replace the screws in the corresponding holes.

Figure 1-13. Adjusting the Rack Posts



- | | | | |
|---|-----------------|---|----------------|
| 1 | screws | 2 | back rack post |
| 3 | front rack post | | |

NOTE: You may now install systems into the rack. Use the white numbered labels on the front and back of the rack mounting rails to help install products in the rack.

Routing Cables

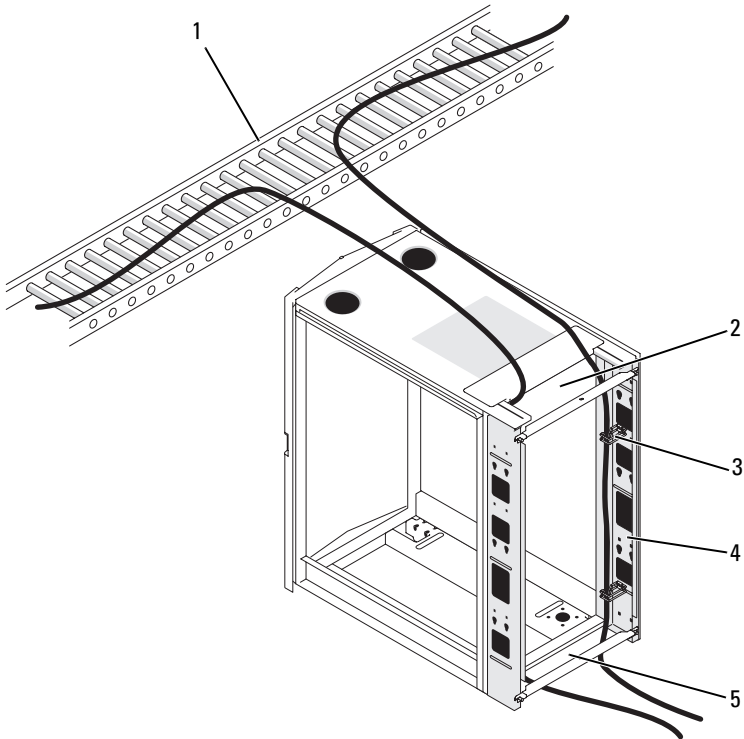
The 24-U rack offers several features that simplify cable routing (see Figure 1-14).

- Four power distribution unit (PDU) channels in each rack flange allow you to route power cables to the systems mounted in the rack.
- Cable clips can be mounted in the PDU channels to keep cables out of the way and help prevent cords from becoming tangled.

You can route cables out of the rack in two ways on a standard configuration:

- Through the cable exit at the bottom of the back doors (see Figure 1-14)
- Through the adjustable cable slot at the top of the rack and into a cable raceway (see Figure 1-14).

Figure 1-14. Cable-Routing Options



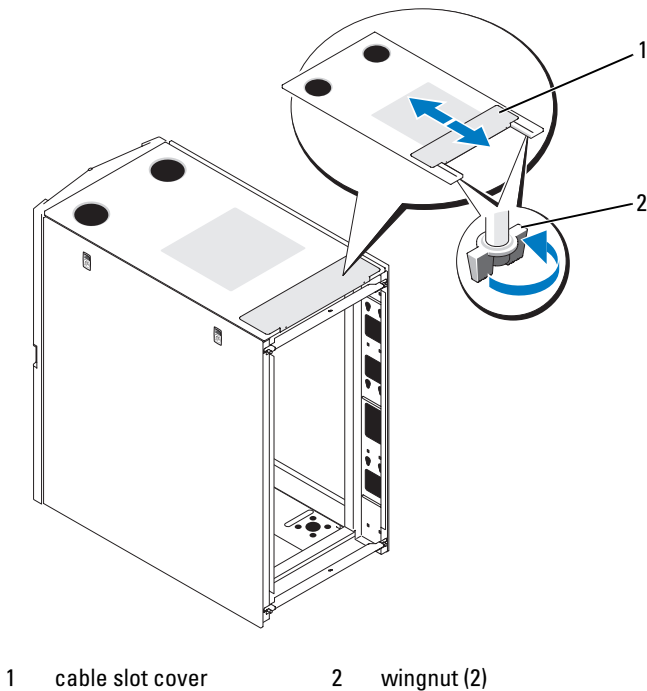
- | | | | |
|---|-------------------|---|---------------------------|
| 1 | cable raceway | 2 | top cable slot |
| 3 | cable clips | 4 | PDU channels (2 per side) |
| 5 | bottom cable exit | | |

Opening and Closing the Top Cable Slot

The top cable slot in the rack can be used for routing cables up to a cable raceway.

- 1 Open the back doors.
- 2 Loosen the wingnuts underneath the cable slot cover (see Figure 1-15).
- 3 Slide the cable slot cover in the open position towards the front of the rack.
- 4 After routing your cables through the top of the rack, close any air gap in the cable slot by pulling the slot cover towards the back of the rack. Use the wingnuts to secure the cover.

Figure 1-15. Opening and Closing the Cable Slot

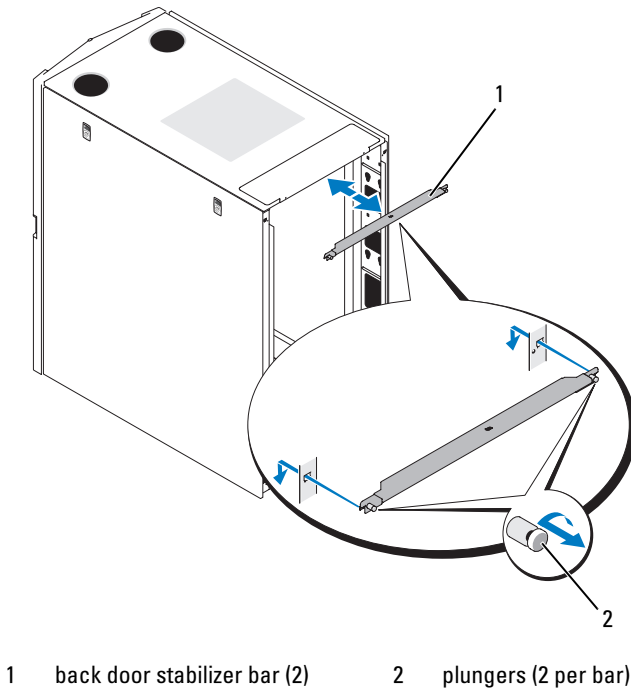


Removing and Installing the Back Door Stabilizer Bars

The top and bottom bars used to stabilize the back doors can be removed, making it easier to route cables through the top and bottom of the rack.

- 1 Open the back doors.
- 2 Pull and hold the plungers on each side of the bar, and pull the bar up and away from the rack (see Figure 1-16).
- 3 After routing your cables, replace the bars by aligning the tabs on the bars with the corresponding holes in the rack and pushing in and down until the plungers lock into place.

Figure 1-16. Removing and Installing the Back Door Stabilizer Bars



Index

B

back door
 opening, 9
 removing, 10

C

cables
 routing, 23

D

doors
 removing, 8

F

front door
 removing, 8-9
 reversing, 12

L

leveling feet, 18

R

rack stabilizer feet, 7, 20
routing cables, 23

S

safety instructions, 5
side panels
 removing, 11

T

tools and supplies, 7

Dell™ PowerEdge™ 2420

Guide d'installation



Remarques, précautions et avertissements



REMARQUE : Une REMARQUE indique des informations importantes qui peuvent vous aider à mieux utiliser votre ordinateur.



PRÉCAUTION : Une PRÉCAUTION vous avertit d'un risque de dommage matériel ou de perte de données en cas de non-respect des instructions données.



AVERTISSEMENT : Un AVERTISSEMENT vous avertit d'un risque d'endommagement du matériel, de blessure corporelle ou de mort.

Les informations contenues dans ce document sont sujettes à modification sans préavis.
© 2008 Dell Inc. Tous droits réservés.

La reproduction de ces documents de quelque manière que ce soit sans l'autorisation écrite de Dell Inc. est strictement interdite.

Dell, le logo *DELL* et *PowerEdge* sont des marques de Dell Inc.

D'autres marques commerciales et noms de marque peuvent être utilisés dans ce document pour faire référence aux entités se réclamant de ces marques et de ces noms ou de leurs produits. Dell Inc. décline tout intérêt dans l'utilisation des marques déposées et des noms de marques ne lui appartenant pas.

Table des matières

Consignes de sécurité	33
SÉCURITÉ : montage en rack des systèmes	33
Instructions d'installation	33
Exigences du rack	34
Installation en rack	34
Avant de commencer	34
Tâches d'installation	35
Outils et fournitures recommandés	36
Retrait et remise en place des portes du rack	36
Retrait et remise en place des panneaux latéraux	40
Inversion du sens de l'ouverture de la porte avant (facultatif)	41
Fixation des pieds de nivellement du rack	47
Installation des pieds stabilisateurs du rack	49
Ajustement des montants du rack (facultatif)	51
Acheminement des câbles	52
 Index	 57

Consignes de sécurité

Respectez les consignes de sécurité de ce guide pour assurer votre sécurité personnelle et pour contribuer à protéger le système et l'environnement de travail de dommages potentiels. Pour obtenir des informations importantes concernant la sécurité et les réglementations, consultez les consignes de sécurité fournies avec le système. Les informations sur la garantie peuvent se trouver dans ce document ou dans un document à part.

SÉCURITÉ : montage en rack des systèmes

Pour garantir la stabilité du rack, ainsi que votre sécurité, respectez les précautions suivantes. Reportez-vous également à la documentation sur l'installation en rack accompagnant le système et le rack pour connaître les mises en garde et les procédures spécifiques.

Les systèmes sont considérés comme les composants d'un rack. Le terme de composant fait référence à un système ainsi qu'à divers périphériques ou du matériel de support.


PRÉCAUTION : Instructions relatives aux systèmes montés en rack :

- Votre kit pour rack est homologué pour le rack fourni uniquement. Il est de votre devoir de vous assurer que l'installation du matériel dans un autre rack est conforme à toutes les normes applicables. Dell décline toute responsabilité ou garantie liée à la combinaison de ce matériel avec d'autres types de rack.
- Avant d'installer votre matériel en rack, installez d'abord les stabilisateurs avant et latéraux. Si vous ne le faites, pas le rack peut se renverser.
- Commencez toujours le chargement du bas vers le haut et chargez d'abord les objets les plus lourds.
- Ne surchargez pas le circuit d'alimentation secteur du rack.
- Ne montez pas et ne vous tenez pas debout sur un composant du rack.

Instructions d'installation

Ce guide d'installation contient des instructions à l'intention de techniciens de maintenance qualifiés, en vue de l'installation d'un rack 24U. Les informations concernent l'assemblage du rack et le routage des câbles dans le rack. Le rack 24U peut être installé à l'aide des outils recommandés.






Exigences du rack

-  **PRÉCAUTION** : Le rack 24U est conforme aux spécifications des organismes suivants : norme ANSI/EIA-310-D-92 de l'American National Standards Institute (ANSI)/Electronic Industries Association (EIA), norme CEA-310-E de la Consumer Electronics Association (CEA), norme 297 de l'International Electrotechnical Commission (IEC) et norme 41494 de la Deutsche Industrie Norm (DIN).

Installation en rack


Avant de commencer l'installation, lisez soigneusement cette procédure en entier.

Avant de commencer

-  **AVERTISSEMENT** : Avant de commencer l'installation du rack, lisez soigneusement la section "Informations importantes concernant la sécurité", ainsi que les consignes de sécurité fournies avec le rack.
-  **AVERTISSEMENT** : Si vous installez plusieurs systèmes dans un rack, terminez toutes les opérations requises sur le système en cours d'installation avant de passer au suivant.
-  **AVERTISSEMENT** : Les armoires racks peuvent être extrêmement lourdes, mais les roulettes permettent de les déplacer facilement. Les armoires ne possèdent pas de système de freinage. Procédez avec la plus grande prudence pour déplacer une armoire rack. Rentrez ses pieds réglables lorsque vous la changez d'emplacement. Évitez de déplacer l'armoire rack sur des surfaces rugueuses ou le long de rampes ou de plans inclinés trop longs ou trop abrupts sur lesquels elle pourrait vous échapper. Ressortez les pieds réglables lorsque l'armoire doit être soutenue et pour lui éviter de se déplacer sur ses roulettes.
-  **AVERTISSEMENT** : Evitez de faire rouler l'armoire sur des surfaces rugueuses. Tout choc brutal sur une roulette peut casser celle-ci, ce qui peut déstabiliser et renverser l'armoire.
-  **AVERTISSEMENT** : N'essayez pas de déplacer le rack si des composants y sont déjà installés. Si vous déplacez un rack entièrement chargé sur une surface légèrement inégale, le rack risque d'être déséquilibré et de se renverser.


Informations importantes concernant la sécurité


Respectez les consignes de sécurité décrites dans les sous-sections suivantes lors de l'installation du système dans le rack.

 **AVERTISSEMENT** : Vous devez respecter à la lettre les procédures de ce document afin de garantir votre propre protection ainsi que celle d'autrui. Le système peut être très lourd et volumineux. Une préparation et une planification adéquates sont donc importantes afin d'éviter tout risque de blessure pour vous-même ou autrui. Ces précautions sont d'autant plus importantes lorsque les systèmes sont installés en hauteur.

 **AVERTISSEMENT** : Pour des raisons de stabilité, placez un poids d'au moins 23 kilos dans les espaces 3-U du bas du rack.

Pieds stabilisateurs du rack

 **AVERTISSEMENT** : L'installation de systèmes dans un rack sans placer de pieds stabilisateurs avant et latéraux peut provoquer le basculement du rack et comporte dans certaines situations un risque de blessures. C'est pourquoi, il faut toujours installer les pieds stabilisateurs avant d'installer les composants du rack.

 **AVERTISSEMENT** : Après avoir installé des systèmes dans un rack, ne faites jamais coulisser hors du rack plus d'un système à la fois. Le poids de plusieurs systèmes sortis du rack risquerait de le faire basculer et de blesser quelqu'un.

Les pieds stabilisateurs évitent au rack de basculer lorsque vous étendez les assemblages à glissière au maximum pour tirer un système ou un composant hors du rack.

Tâches d'installation

L'installation d'une armoire rack comprend les opérations suivantes :


- 1 Retrait et remise en place des portes du rack
- 2 Retrait et remise en place des panneaux latéraux
- 3 Inversion du sens d'ouverture de la porte avant et de la plaque (facultatif)
- 4 Fixation des pieds de mise à niveau
- 5 Installation des pieds stabilisateurs
- 6 Ajustement des montants du rack (facultatif)
- 7 Routage des câbles dans le rack

Outils et fournitures recommandés

Pour installer le rack, vous pourrez avoir besoin des outils et fournitures suivants :

- Tournevis cruciforme n°2
- Tournevis à tête plate
- Clé de 12 mm
- Pince à bec fin
- Clé Allen de 4 mm (si vous souhaitez inverser le sens d'ouverture de la porte avant)
- Les clés des portes et des panneaux latéraux du rack (livrés avec le kit pour rack)
- Clé de 13 mm (pour retirer le rack de sa palette)
- Clé de 17 mm (pour retirer le rack de sa palette)

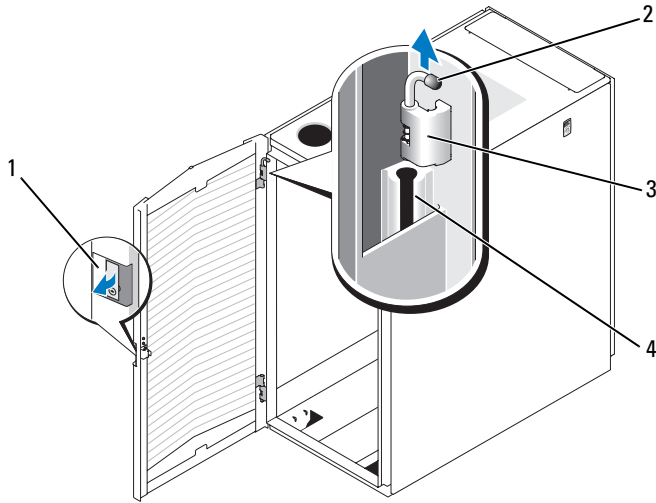
Retrait et remise en place des portes du rack

 **AVERTISSEMENT** : Lorsque vous déposez les portes, placez-les à plat pour éviter qu'elles ne tombent et blessent quelqu'un.

Retrait de la porte avant

- 1 Tirez le loquet et ouvrez la porte avant complètement (voir la figure 1-1).
- 2 Tout en maintenant la porte, tirez l'axe du gond supérieur vers le haut afin de libérer le logement du gond de la porte (voir la figure 1-1).
Le ressort sur l'axe empêche le gond de sortir de son logement.

Figure 1-1. Retrait de la porte avant



- | | | | |
|---|--------------------|---|---------------------------|
| 1 | loquet de la porte | 2 | axe du gond |
| 3 | corps du gond | 4 | logement de l'axe du gond |

- 3 Tout en maintenant l'axe du gond hors du logement, tirez légèrement la porte du rack pour la dégager du logement.
- 4 Lâchez l'axe du gond.
- 5 Soulevez la porte pour la dégager du gond inférieur.



AVERTISSEMENT : Compte tenu de la taille et du poids de la porte, il est recommandé de la poser à plat sur le sol, façade tournée vers le haut.

- 6 Posez la porte à l'écart en tournant sa façade vers le haut.
En procédant ainsi, vous éviterez d'endommager le macaron et le revêtement de la porte.

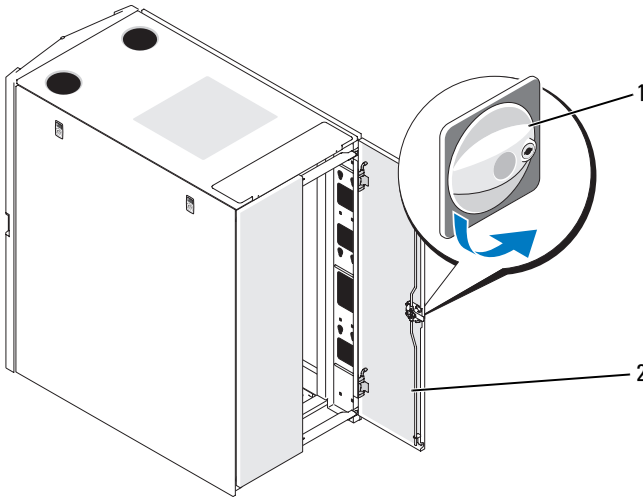
Remise en place de la porte avant

Pour remettre en place la porte avant, procédez à l'inverse du retrait.

Ouverture et retrait des portes arrière

- 1 Tournez la poignée et ouvrez les portes arrière (voir la figure 1-2).

Figure 1-2. Ouverture des portes arrière



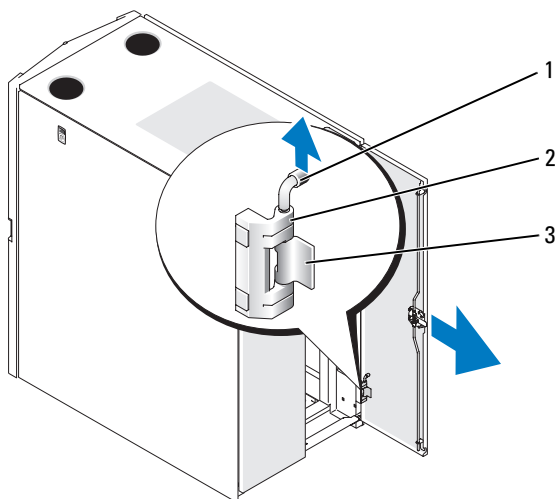
1 poignée de la porte

2 porte arrière (2)

- 2 Retirez la porte de droite.
 - a Tout en maintenant la porte, sortez l'axe du gond supérieur du logement de la porte (voir la figure 1-3).

Vous devez entendre un déclic lorsque l'axe est sorti. Les axes sont conçus pour éviter qu'ils ne sortent complètement des gonds.
 - b Répétez cette opération pour l'axe inférieur.
 - c Dégagez la porte du rack.

Figure 1-3. Retrait des portes arrière



- | | | | |
|---|---------------------------|---|---------------|
| 1 | axe du gond | 2 | corps du gond |
| 3 | logement de l'axe du gond | | |

⚠ AVERTISSEMENT : Compte tenu de la taille et du poids de la porte, il est recommandé de la poser à plat sur le sol, façade tournée vers le haut.

- d** Posez la porte à l'écart en tournant sa façade vers le haut.
En procédant ainsi, vous éviterez d'endommager le revêtement de la porte.
- e** Répétez les étapes a à d pour la porte de gauche.

Remise en place des portes arrière

Pour remettre en place les portes arrière, procédez à l'inverse du retrait.

Retrait et remise en place des panneaux latéraux



PRÉCAUTION : Il est nécessaire de réinstaller les panneaux latéraux avant de démarrer des systèmes dans le rack pour s'assurer un refroidissement adéquat à l'intérieur du rack.



REMARQUE : Vous devez retirer les panneaux latéraux pour installer les pieds stabilisateurs latéraux.



REMARQUE : Bien qu'il ne soit pas nécessaire de déposer les panneaux latéraux pour installer le système dans un rack, il est plus pratique de le faire pour installer les axes coulissants et les rails et d'inverser le sens d'ouverture des portes.

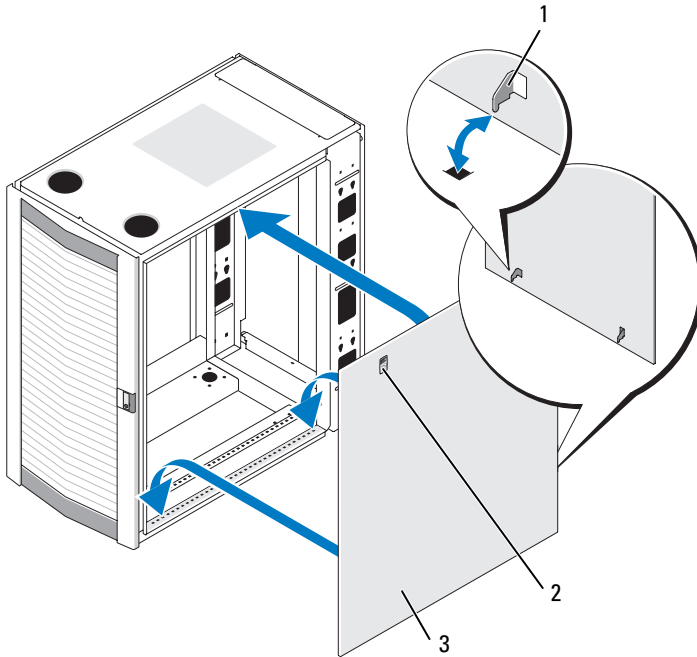
Retrait des panneaux latéraux

- 1 Abaissez les deux loquets et laissez le panneau latéral se détacher légèrement vers le haut (voir la figure 1-4).
- 2 Saisissez fermement le panneau par ses côtés.
- 3 Soulevez-le jusqu'à ce que les crochets sortent de leur logement à la base de la structure de l'armoire.
- 4 Déposez le panneau dans un endroit sûr, façade tournée vers le haut pour éviter d'endommager le revêtement du panneau.
- 5 Répétez les étapes step 1 à step 4 pour l'autre panneau latéral.

Remise en place des panneaux latéraux

- 1 Abaissez le panneau dans le rack, insérez le crochet du panneau arrière dans le trou arrière à la base de la structure du rack et le crochet avant dans le trou correspondant à l'avant de la structure du rack (voir la figure 1-4).
- 2 Avancez la partie supérieure du panneau vers le rack.
- 3 Appuyez sur le panneau jusqu'à ce que les deux crochets se fixent dans leur logement.

Figure 1-4. Remise en place des panneaux latéraux



- | | | | |
|---|------------------------|---|------------|
| 1 | crochet du panneau (2) | 2 | loquet (2) |
| 3 | panneau latéral (2) | | |

Inversion du sens de l'ouverture de la porte avant (facultatif)

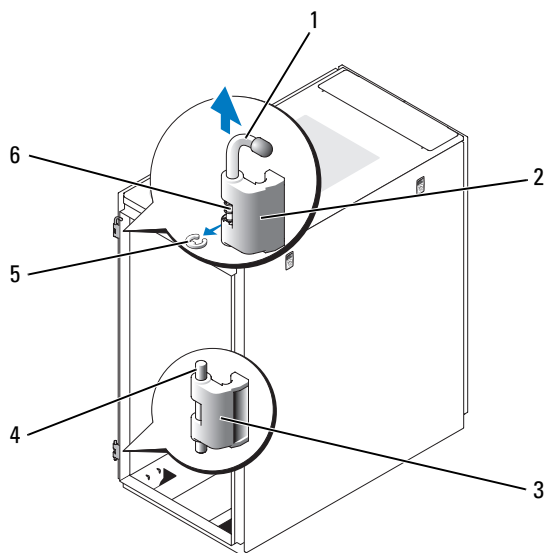
REMARQUE : Utilisez la clé Allen de 4 mm fournie avec le rack pour retirer les logements des gonds de la porte avant et les réinstaller sur le côté opposé.

Pour inverser le sens d'ouverture de la porte avant, procédez comme suit :

- 1 Retirez la porte avant (voir “Retrait de la porte avant” à la page 36).
- 2 Retirez les panneaux latéraux (voir “Retrait et remise en place des panneaux latéraux” à la page 40).

- 3** Inversez le gond supérieur.
- a** Tirez légèrement l'axe vers le haut pour accéder au clip de retenue (voir la figure 1-5).

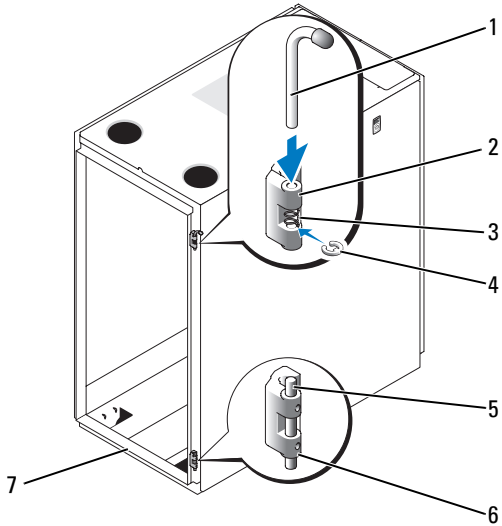
Figure 1-5. Retrait des axes de la porte avant



1	axe du gond	2	corps du gond supérieur
3	gond inférieur	4	axe du gond
5	clip de retenue	6	ressort du corps

- b** À l'aide de la pince à bec fin, retirez le clip de retenue et faites coulisser l'axe hors du gond.
- c** Retirez le ressort du gond.
- d** Placez en lieu sûr l'axe, le clip de retenue et le ressort.
- e** À l'aide de la clé Allen de 4 mm, retirez les vis Allen de fixation du gond au rack et placez-les avec le gond, le clip de retenue et le ressort.
- f** Faites pivoter le gond de 180 degrés pour amener les orifices du gond sur la partie droite du gond (voir la figure 1-6).

Figure 1-6. Inversion des gonds supérieur et inférieur

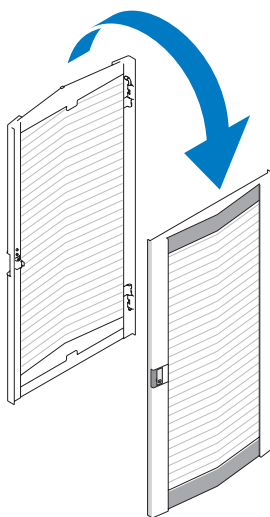


- | | | | |
|---|---------------|---|-------------------------|
| 1 | axe du gond | 2 | corps du gond supérieur |
| 3 | ressort | 4 | clip de retenue |
| 5 | axe du gond | 6 | corps du gond inférieur |
| 7 | avant du rack | | |

- g** Repérez les orifices de vis supérieurs sur la partie droite du rack et fixez le gond à cet endroit avec les vis Allen.
- h** Insérez le ressort dans les orifices des axes supérieur et inférieur, à la base du corps du gond.
- i** Glissez l'axe dans le gond.
- j** Insérez le clip de retenue en le plaçant sous le ressort.

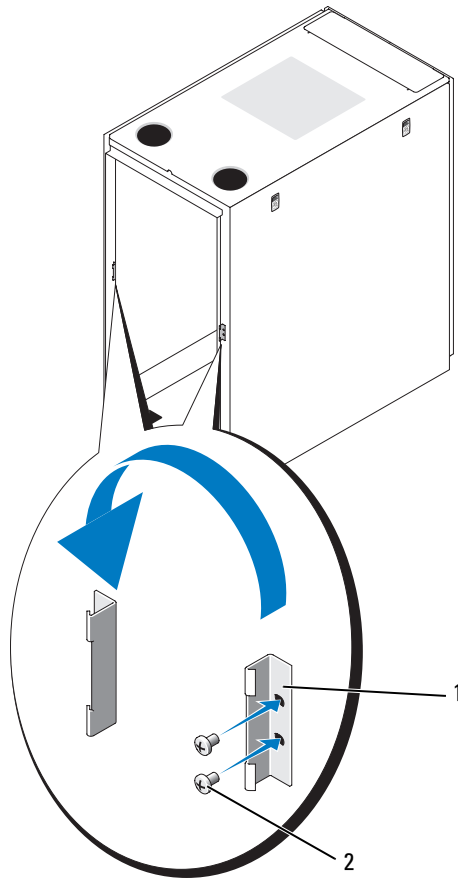
- 4** Inversez le gond inférieur.
 - a** Retirez les vis Allen de fixation du gond au rack et placez-les à l'écart.
 - b** Faites pivoter le gond de 180 degrés pour amener les tourillons à la droite du gond (voir la figure 1-6).
 - c** Repérez l'orifice de vis inférieur sur la partie droite du rack et fixez le gond à cet endroit avec la vis Allen.
- 5** Faites pivoter la porte avant de 180 degrés pour amener les logements des axes sur le côté droit (voir la figure 1-7).

Figure 1-7. Rotation de la porte avant



- 6** Remettez en place la porte avant en exécutant dans l'ordre inverse les étapes de la section “Retrait de la porte avant” à la page 36.
- 7** Inversez le butoir de verrouillage.
 - a** Dévissez les deux vis Phillips n°1 qui maintiennent le butoir de verrouillage sur la structure verticale du rack.
 - b** Retirez le butoir de verrouillage et faites-le pivoter de 180 degrés.
 - c** Réinstallez le butoir de verrouillage sur la nouvelle pièce de la structure horizontale en faisant correspondre les trous du butoir de verrouillage avec ceux de la structure, puis en remettant en place les deux vis Phillips n°1.

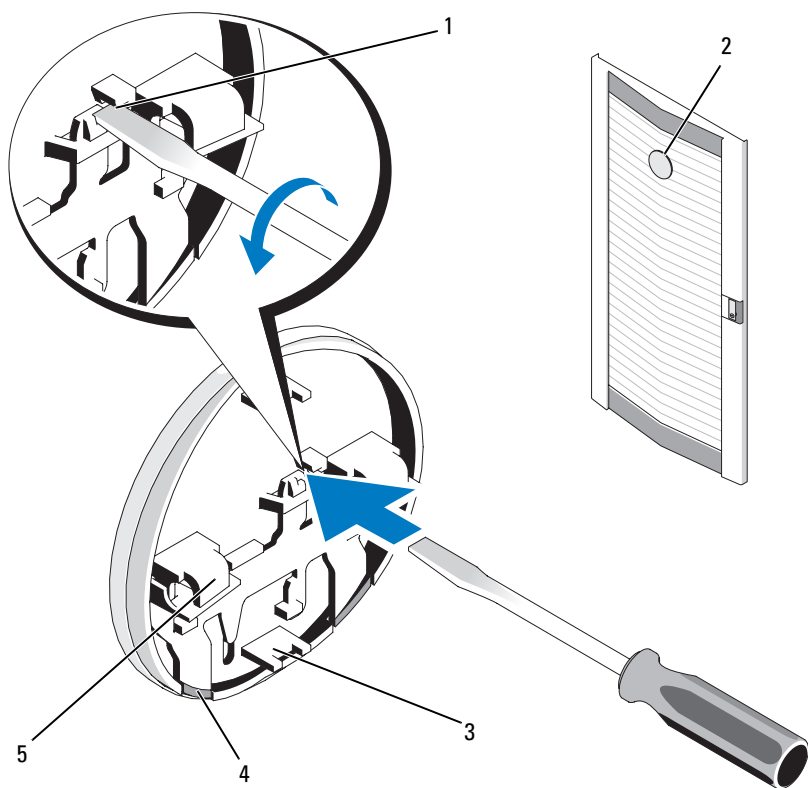
Figure 1-8. Inversion du butoir de verrouillage de la porte avant



1 butoir de verrouillage 2 vis

- 8** Inversez le macaron sur la porte avant.
 - a** Ouvrez la porte avant.
 - b** A l'intérieur de la porte, insérez un tournevis à tête plate dans l'encoche de dégagement du macaron (voir la figure 1-9).

Figure 1-9. Inversion du macaron de la porte avant



- | | | | |
|---|-------------------------------------|---|---------------------------------|
| 1 | encoche de dégagement
du macaron | 2 | macaron de la porte avant |
| 3 | baguette centrale (2) | 4 | clip de fixation du macaron (2) |
| 5 | crochet du macaron (2) | | |


- c** Enfoncez le tournevis dans l'encoche jusqu'à atteindre le fond, puis tournez le dans le sens inverse des aiguilles d'une montre.
- d** Soulevez le macaron et décollez-le de la porte.
- e** Faites pivoter le macaron de 180 degrés afin qu'il soit lisible dans le bon sens une fois réinstallé.


- f Identifiez la quatrième barre horizontale à partir du haut de la porte et faites glisser les crochets du macaron dessus, en alignant les baguettes centrales du macaron sur la barre verticale sur la porte.
- g Appuyez sur les clips de fixation du macaron jusqu'à ce qu'ils se referment et que le macaron soit correctement fixé.


Fixation des pieds de nivellement du rack

 **AVERTISSEMENT : Lisez toutes les instructions ci-dessous avant de régler les pieds de mise de niveau.**


Votre rack est équipé de quatre pieds de mise de niveau, un par angle. Ces pieds servent à mettre le rack parfaitement de niveau, même s'il est installé sur une surface légèrement inégale. Avant d'installer vos systèmes dans le rack, déployez et réglez les pieds de mise de niveau. Pour mettre le rack de niveau, respectez les précautions suivantes.

 **AVERTISSEMENT : Lorsque vous réglez les pieds de nivellement, vérifiez que les roulettes à chaque angle du rack ne dépassent pas de plus de 9,5 mm (3/8 de pouce) au-dessus du plancher. Si le dégagement entre le plancher et les roulettes excède 9,5 mm lors du réglage des pieds de nivellement, rentrez *lentement* les pieds, puis transférez le rack à un autre emplacement ne nécessitant qu'un ajustement minimal des pieds de nivellement.**

 **AVERTISSEMENT : Réglez les pieds de nivellement jusqu'à ce que chacun repose fermement sur le sol. Ceci permet de supporter le poids du rack et l'empêche d'osciller. Si les pieds ne sont pas fermement en contact avec le sol, le rack peut devenir instable et basculer.**

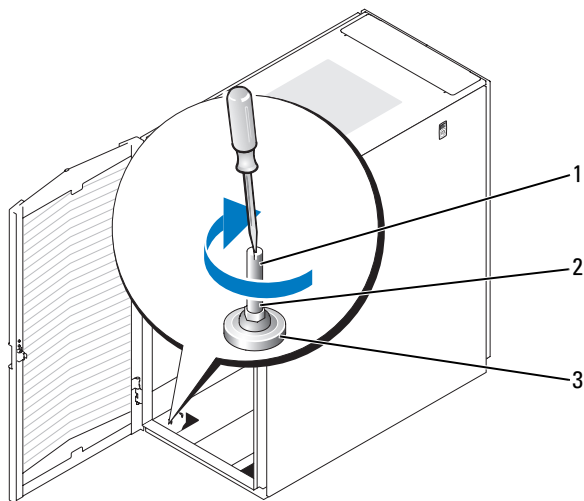
 **AVERTISSEMENT : N'essayez pas de déplacer le rack quand les pieds de nivellement sont déployés. Rentrez toujours les pieds de nivellement avant de déplacer le rack. Si les pieds sont déployés quand vous déplacez le rack, il risque de se renverser.**

 **AVERTISSEMENT : Avant d'installer vos systèmes, installez toujours les pieds et mettez le rack de niveau. Un rack entièrement chargé peut se renverser s'il est sur une surface inégale et que ses pieds stabilisateurs et de mise de niveau ne supportent pas son poids.**

 **REMARQUE : Si le rack n'est pas correctement de niveau, vous ne pourrez pas installer les pieds stabilisateurs qui lui évitent de basculer.**

- 1 À l'aide d'un tournevis, abaissez le pied stabilisateur jusqu'à ce qu'il touche le sol.
- 2 Si vous avez besoin d'abaisser davantage le pied, resserrez l'écrou 6 pans à l'aide d'une clé 12 mm (voir la figure 1-10).

Figure 1-10. Réglage des pieds de nivellement



- | | | | |
|---|----------------------------|---|--------------|
| 1 | axe du pied de nivellement | 2 | écrou 6 pans |
| 3 | patin de nivellement | | |

- 3 Répétez les étapes 1 et 2 pour les autres pieds de nivellement.
- 4 Vérifiez que le rack est bien de niveau.

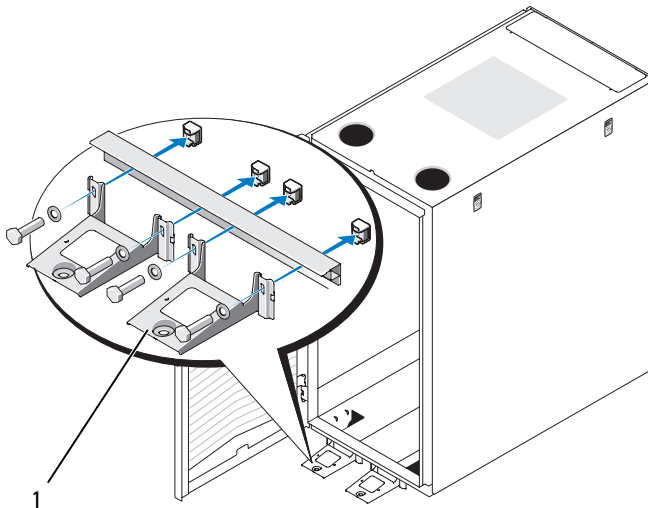
Installation des pieds stabilisateurs du rack

⚠ AVERTISSEMENT : L'installation de systèmes dans un rack sans placer de pieds stabilisateurs avant et latéraux peut provoquer le basculement du rack et comporte dans certaines situations un risque de blessures. C'est pourquoi, il faut toujours installer les pieds stabilisateurs avant d'installer les composants du rack.

Installation des pieds stabilisateurs avant

- 1 Ouvrez la porte avant.
- 2 A l'intérieur du rack, tirez fermement sur chaque stabilisateur pour le détacher de la structure.
- 3 Retirez les attaches en plastique qui retiennent les pieds stabilisateurs.
- 4 Placez chaque pied stabilisateur avant contre la base de la structure du rack et faites correspondre ses trous avec ceux de la structure.
- 5 Utilisez les écrous, rondelles et écrous à cage fournis pour fixer chaque pied au rack comme illustré dans la figure 1-11.

Figure 1-11. Installation des pieds stabilisateurs avant

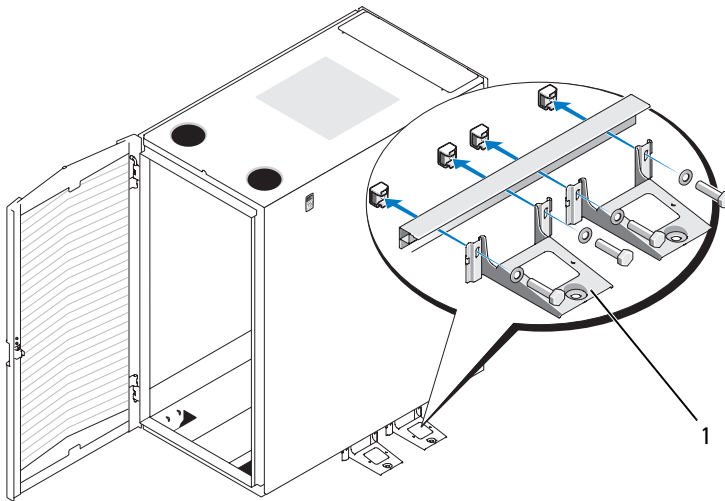


1 pied stabilisateur avant (2)

Installation des pieds stabilisateurs latéraux

- 1 Retirez le panneau latéral.
- 2 Sur le côté du rail inférieur de la structure du rack, repérez les quatre trous (voir la figure 1-12).
- 3 Placez chaque pied stabilisateur contre la base de la structure du rack et faites correspondre ses trous avec ceux de la structure.

Figure 1-12. Installation des pieds stabilisateurs latéraux



1 pied stabilisateur latéral (2 par côté)

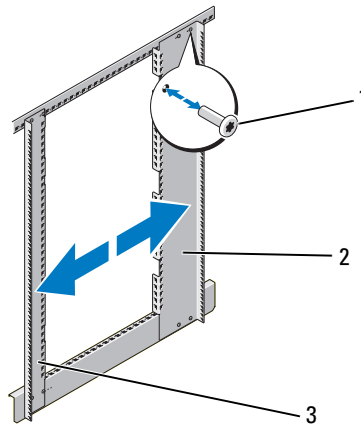
- 4 Utilisez les écrous, rondelles et écrous à cage fournis pour fixer chaque pied au rack comme illustré dans la figure 1-12.

Ajustement des montants du rack (facultatif)

Vous pouvez ajuster les montants du rack pour recevoir des systèmes de profondeur différente.

- 1 Ouvrez les portes du rack.
- 2 Retirez les vis des parties supérieure et inférieure du montant (voir la figure 1-13).
- 3 Déplacez le montant à l'endroit désiré à l'intérieur de la partie latérale du rack, puis replacez les vis dans les trous correspondants.

Figure 1-13. Ajustement des montants du rack



1 vis

2 montant arrière du rack

3 montant avant du rack



REMARQUE : Vous pouvez maintenant installer les systèmes dans le rack. Utilisez les étiquettes numérotées blanches situées sur la partie avant et la partie arrière des rails de montage du rack pour vous aider dans l'installation des composants.

Acheminement des câbles

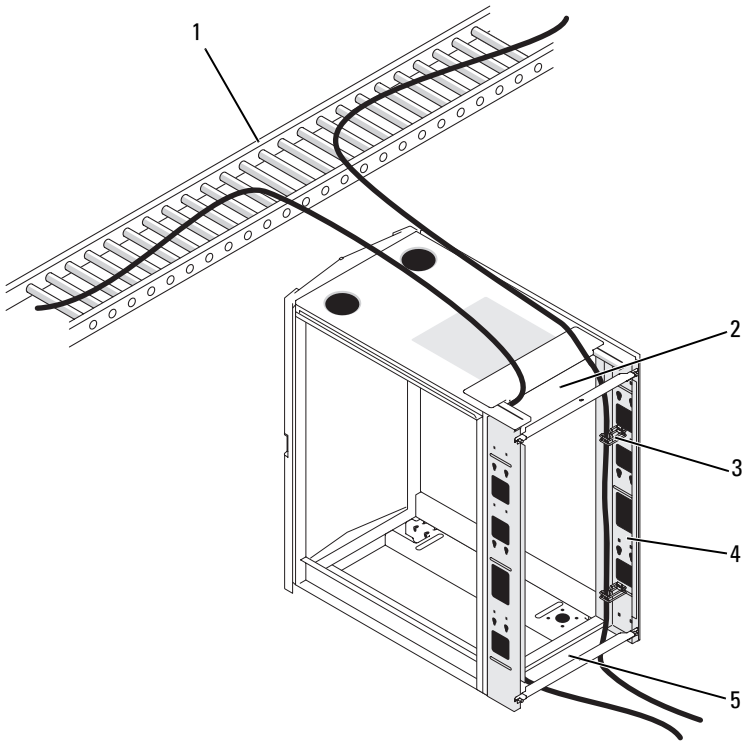
Le rack 24U dispose de plusieurs éléments qui simplifient le routage des câbles (voir la figure 1-14).

- Quatre canaux d'unité de distribution de l'alimentation (PDU) présents dans chaque plaque permettent de faire cheminer les câbles d'alimentation des systèmes montés sur le rack.
- Vous pouvez monter les clips des câbles dans les canaux PDU afin de ranger les câbles et d'empêcher les fils de s'entremêler.

Vous pouvez faire passer les câbles hors du rack de deux manières différentes pour une configuration standard :

- Par la sortie de câble au bas des portes arrière (voir la figure 1-14)
- Par la fente de câble réglable dans la partie supérieure du rack et à travers le chemin de câbles (voir la figure 1-14).

Figure 1-14. options de routage des câbles



1 chemin de câbles

2 fente de câble supérieure

3 clips de câbles

4 canaux PDU (2 par côté)

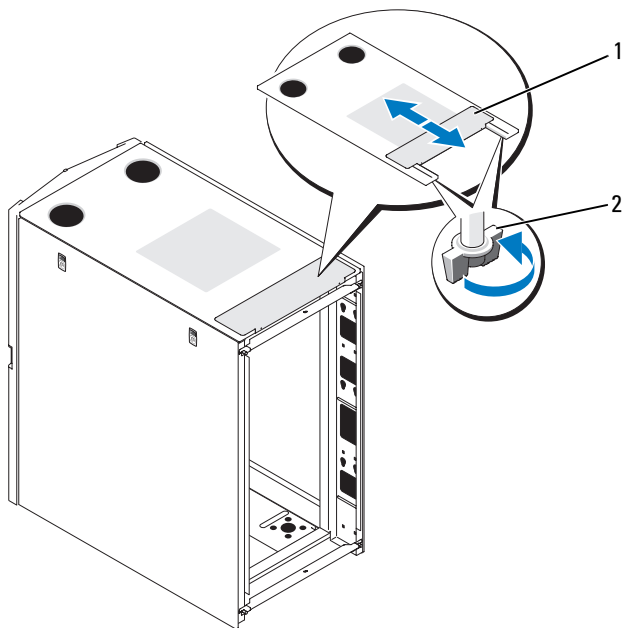
5 sortie de câble inférieure

Ouverture et fermeture de la sortie de câble supérieure

La sortie de câble supérieure du rack permet de faire passer les câbles vers un chemin de câbles.

- 1 Ouvrez les portes arrière.
- 2 Desserrez les écrous à ailettes sous le cache du logement de câble (voir la figure 1-15).
- 3 Ouvrez le cache du logement de câble en le faisant glisser vers l'avant du rack.
- 4 Après avoir fait passer vos câbles par le haut du rack, refermez toute interstice visible en tirant le cache du logement vers l'arrière du rack. Fixez le cache à l'aide des écrous à ailettes.

Figure 1-15. Ouverture et fermeture de l'emplacement des câbles



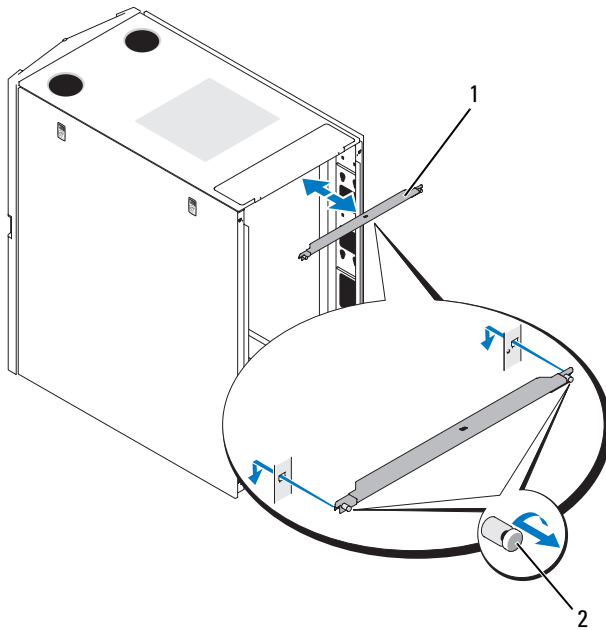
- 1 cache des orifices de câble 2 écrou à ailettes (2)

Retrait et installation des barres de stabilisation de la porte arrière

Il est possible de retirer les barres supérieure et inférieure qui stabilisent les portes arrière, afin de faciliter le passage des câbles par le haut et le bas du rack.

- 1 Ouvrez les portes arrière.
- 2 Tirez et maintenez les plots de chaque côté de la barre, puis dégagez cette dernière du rack en la tirant vers le haut (voir la figure 1-16).
- 3 Après avoir fait passer vos câbles, remplacez les barres en alignant les baguettes avec les orifices correspondants du rack, puis en les insérant et en appuyant jusqu'à ce que les plots se fixent en place.

Figure 1-16. Retrait et installation des barres de stabilisation de la porte arrière



1 barre de stabilisation de la porte arrière (2)

2 plots (2 par barre)

Index

C

Câbles
routage, 52

Consignes de sécurité, 33

Couvercle arrière
ouverture, 38
retrait, 38

Couvercle avant
inversion, 41
retrait, 36, 38

O

Outils et fournitures, 36

P

Panneaux latéraux
retrait, 40

pieds de mise de niveau, 47

Portes
retrait, 36

R

Rack, pieds stabilisateurs, 35, 49

Routage des câbles, 52

Dell™ PowerEdge™ 2420

Installationsanleitung



Anmerkungen, Vorsichtshinweise und Warnungen



ANMERKUNG: Eine ANMERKUNG macht auf wichtige Informationen aufmerksam, mit denen Sie das System besser einsetzen können.



VORSICHT: Hiermit werden Sie auf mögliche Gefahrenquellen hingewiesen, die Hardwareschäden oder Datenverlust zur Folge haben können, wenn die Anweisungen nicht befolgt werden.



WARNUNG: Hiermit werden Sie auf eine potenziell gefährliche Situation hingewiesen, die zu Sachschäden, Verletzungen oder zum Tod führen könnte.

Irrtümer und technische Änderungen vorbehalten.

© 2008 Dell Inc. Alle Rechte vorbehalten.

Eine Vervielfältigung oder Wiedergabe dieser Materialien in jeglicher Weise ohne vorherige schriftliche Genehmigung von Dell Inc. ist strengstens untersagt.

Dell, das *DELL* Logo und *PowerEdge* sind Marken von Dell Inc.

Alle anderen in dieser Dokumentation genannten Marken und Handelsbezeichnungen sind Eigentum der entsprechenden Hersteller und Firmen. Dell Inc. erhebt keinen Anspruch auf Marken und Handelsbezeichnungen mit Ausnahme der eigenen.

Inhalt

Sicherheitshinweise	63
SICHERHEIT: Systeme im Rack montieren	63
Installationsanleitung	64
Rackanforderungen	64
Rackinstallation	64
Bevor Sie beginnen.	64
Ablauf der Installation	65
Empfohlene Werkzeuge und Zubehör	66
Entfernen und Wiederanbringen der Racktüren.	66
Entfernen und Wiederanbringen der Seitenteile	70
Umgekehrtes Einbauen der vorderen Tür (optional)	71
Einstellen der höhenverstellbaren Rackfüße	77
Anbringen der Stabilisatoren.	79
Anpassen der Rackstützen (optional)	81
Verlegen der Kabel	82
Stichwortverzeichnis	87

Sicherheitshinweise

Beachten Sie die nachfolgenden Sicherheitshinweise, um Ihre eigene Sicherheit zu gewährleisten und eine Beschädigung des Systems und der Arbeitsumgebung zu vermeiden. Die vollständigen wichtigen Informationen zu Sicherheitsanforderungen und Betriebsvorschriften finden Sie in den Sicherheitshinweisen, die Sie mit dem System erhalten haben. Die Garantieinformationen befinden sich entweder dort oder in einem gesonderten Dokument.

SICHERHEIT: Systeme im Rack montieren

Folgende Vorsichtsmaßnahmen dienen der Stabilität und Sicherheit des Racks. Spezielle Warnungen und/oder Sicherheitshinweise und Prozeduren finden Sie auch in der zum System gehörenden Dokumentation zur Rackinstallation.

Systeme gelten als Komponenten in einem Rack. Der Begriff „Komponente“ bezieht sich auf alle Systeme sowie auf verschiedene Peripheriegeräte oder unterstützende Hardware.



VORSICHT: Anleitungen für rackmontierte Systeme:

- Das Rack-Kit ist nur für den gelieferten Rackschrank zugelassen. Es liegt in Ihrer Verantwortung, dafür zu sorgen, dass die Installation des Systems in einem anderen Rack allen zutreffenden Standards entspricht. Dell übernimmt keinerlei Haftung und Gewährleistung bezüglich der Kombination des Systems mit einem anderen Rack.
- Bringen Sie alle vorderen und seitlichen Stabilisatoren an, bevor Sie das System in einem Rack installieren. Wenn Sie die Stabilisatoren nicht anbringen, kann das Rack umkippen.
- Setzen Sie die Komponenten immer von unten nach oben ein und setzen Sie immer zuerst die schwersten Elemente ein.
- Überlasten Sie nicht den Wechselstromkreis für das Rack.
- Stellen Sie sich nicht auf Komponenten im Rack und treten Sie nicht darauf.

Installationsanleitung

Diese Installationsanleitung enthält Anweisungen für geschulte Servicetechniker zur Installation eines 24-U-Racks (Rack mit 24 Einheiten). Sie erfahren unter anderem, wie Sie das Rack montieren und Kabel durch das Rack verlegen. Das 24-U-Rack kann mit den empfohlenen Werkzeugen installiert werden.






Rackanforderungen

 **VORSICHT:** Das 24-U-Rack erfüllt die Spezifikationen American National Standards Institute (ANSI)/Electronic Industries Association (EIA) ANSI/EIA-310-D-92, Consumer Electronics Association (CEA) Standard CEA-310-E, International Electrotechnical Commission (IEC) 297 und Deutsche Industrie Norm (DIN) 41494.

Rackinstallation


Bevor Sie mit der Installation beginnen, lesen Sie diese gesamte Prozedur sorgfältig durch.

Bevor Sie beginnen

-  **WARNUNG:** Lesen Sie aufmerksam den Abschnitt „Wichtige Sicherheitshinweise“ sowie die Sicherheitsanweisungen, die Sie mit dem Rack erhalten haben.
-  **WARNUNG:** Wenn Sie mehrere Systeme in einem Rack installieren, schließen Sie alle Maßnahmen für ein System ab, bevor Sie das nächste System installieren.
-  **WARNUNG:** Gestellschränke können sehr schwer sein und leicht wegrollen. Die Schränke haben keine Bremsen. Bewegen Sie ein Rack nur mit größter Vorsicht. Fahren Sie die höhenverstellbaren Füße ein, bevor Sie ein Rack bewegen. Vermeiden Sie lange bzw. steile Neigungen, unebene Oberflächen oder Rampen, auf denen Sie die Kontrolle über das Rack verlieren könnten. Fahren Sie die höhenverstellbaren Füße aus, damit das Rack abgestützt wird und nicht wegrollen kann.
-  **WARNUNG:** Rollen Sie das Rack nicht über unebene oder grobe Oberflächen. Harte Stöße auf die Rollen können dazu führen, dass sie brechen, sodass das Rack instabil wird und umkippt.
-  **WARNUNG:** Versuchen Sie nicht, das Rack zu bewegen, wenn Komponenten darin installiert sind. Wenn Sie ein beladenes Rack auf einem leicht unebenen Untergrund verschieben, könnte das Rack aus dem Gleichgewicht geraten und umkippen.


Wichtige Sicherheitshinweise


Beachten Sie beim Einbau des Systems im Rack die Sicherheitsmaßnahmen in den folgenden Unterabschnitten.

 **WARNUNG:** Befolgen Sie die in diesem Dokument angegebenen Vorgehensweisen genau, um sich selbst und andere Personen nicht zu gefährden. Das System ist möglicherweise sehr groß und schwer. Sie sollten die Installation sorgfältig vorbereiten und planen, um Verletzungen zu vermeiden. Dies gilt besonders, wenn Systeme weiter oben im Rack installiert werden.

 **WARNUNG:** Aus Stabilitätsgründen müssen immer mindestens 23 kg in den unteren drei Einheiten des Rackschranks eingebaut werden.

Rackstabilisatoren

 **WARNUNG:** Werden Systeme in einem Rack installiert, an dem die vorderen und seitlichen Stabilisatoren fehlen, kann das Rack umkippen, was unter Umständen schwere Verletzungen nach sich ziehen kann. Befestigen Sie daher immer zuerst die Stabilisatoren, bevor Sie Komponenten im Rack installieren.

 **WARNUNG:** Wenn Sie Systeme in einem Rack installiert haben, ziehen Sie niemals mehr als ein System gleichzeitig auf den Laufschienen aus dem Rack. Durch das Gewicht von mehr als einem herausgezogenen System kann das Rack umkippen und Verletzungen verursachen.

Die Stabilisatoren verhindern, dass das Rack umkippt, wenn ein System oder eine andere Komponente auf den Laufschienen vollständig aus dem Rack gezogen wird.

Ablauf der Installation

Die Installation eines Rackschranks umfasst die folgenden Aufgaben:

- 1 Entfernen und Wiederanbringen der Racktüren
- 2 Entfernen und Wiederanbringen der Seitenteile
- 3 Umgekehrtes Einbauen der vorderen Tür und Plakette (optional)
- 4 Einstellen der höhenverstellbaren Füße
- 5 Anbringen der Stabilisatoren
- 6 Anpassen der Rackstützen (optional)
- 7 Verlegen der Kabel im Rack

Empfohlene Werkzeuge und Zubehör

Für die Installation des Racks benötigen Sie eventuell folgende Werkzeuge und Zubehörteile:

- Kreuzschlitzschraubendreher Größe 2
- Senkkopfschraubendreher
- 12-mm-Schraubenschlüssel
- Spitzzange
- 4-mm-Inbusschlüssel (wenn Sie die Tür so einbauen möchten, dass sie sich in entgegengesetzter Richtung öffnen lässt)
- Schlüssel für die Racktüren und Seitenteile (im Rack-Kit enthalten)
- 13-mm-Schraubenschlüssel (um das Rack vom Lager zu entfernen)
- 17-mm-Schraubenschlüssel (um das Rack vom Lager zu entfernen)

Entfernen und Wiederanbringen der Racktüren

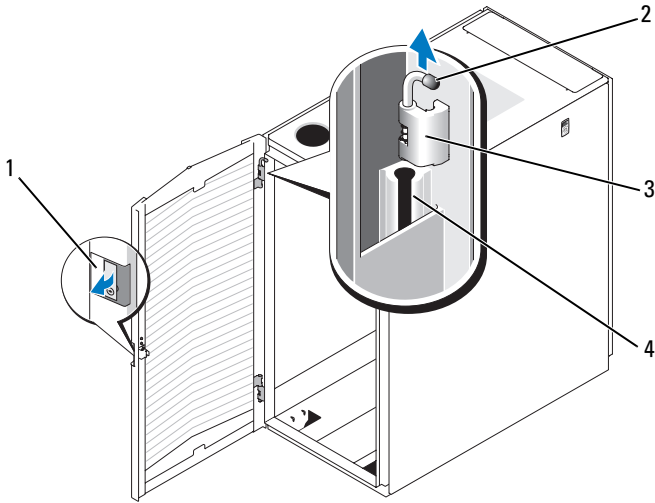


WARNUNG: Legen Sie die Türen flach auf den Boden, damit sie nicht umfallen und jemanden verletzen können.

Entfernen der vorderen Tür

- 1 Ziehen Sie an der Türverriegelung und öffnen Sie die vordere Tür vollständig (siehe Abbildung 1-1).
- 2 Halten Sie die Tür fest und ziehen Sie den oberen Scharnierstift nach oben aus dem Scharnierstiftgehäuse heraus (siehe Abbildung 1-1).
Der Halteclip des Scharnierstifts verhindert, dass das Scharnier aus dem Scharniergehäuse gezogen werden kann.

Abbildung 1-1. Vordere Tür entfernen



- | | | | |
|---|------------------|---|-----------------------|
| 1 | Türverriegelung | 2 | Scharnierstift |
| 3 | Scharniergehäuse | 4 | Scharnierstiftgehäuse |

- 3 Halten Sie den aus dem Scharnierstiftgehäuse gezogenen Scharnierstift weiterhin fest und ziehen Sie die Tür vorsichtig von dem Rack weg, sodass die Tür aus dem Scharniergehäuse gleitet.
- 4 Lassen Sie den Scharnierstift los.
- 5 Heben Sie die Tür nach oben an, sodass sie aus der unteren Scharnierleiste gleitet.



WARNUNG: Wegen der Größe und des Gewichts der Tür wird empfohlen, diese nach dem Abnehmen mit der Außenfläche nach oben flach hinzulegen.

- 6 Bewahren Sie die Tür mit der Außenfläche nach oben an einem sicheren Platz auf.

Wenn Sie die Tür flach und mit der Außenfläche nach oben hinlegen, vermeiden Sie Schäden an der Plakette und an der Beschichtung der Tür.

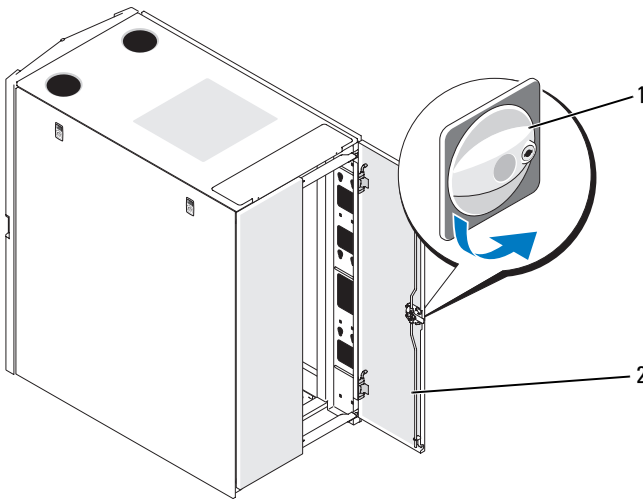
Wiederanbringen der vorderen Tür

Um die Tür wieder anzubringen, wiederholen Sie die Schritte zum Entfernen der Tür in der umgekehrten Reihenfolge.

Öffnen und Abnehmen der hinteren Türen

- 1 Drehen Sie den Türgriff und öffnen Sie die hinteren Türen (siehe Abbildung 1-2).

Abbildung 1-2. Hintere Türen öffnen

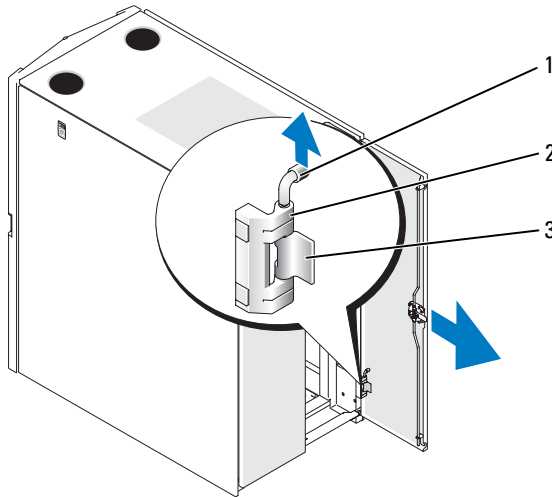


1 Türgriff

2 Hintere Türen (2)

- 2 Nehmen Sie die rechte Tür ab.
 - a Halten Sie die Tür fest und ziehen Sie den Stift des oberen Scharniers aus dem Scharnierstiftgehäuse der Tür (siehe Abbildung 1-3).
Wenn Sie den Stift aus dem Scharnierstiftgehäuse ziehen, ist ein Klicken zu hören. Die Scharnierstifte sind so konzipiert, dass sie nicht aus dem Scharniergehäuse gezogen werden können.
 - b Wiederholen Sie Schritt a für das untere Scharnier.
 - c Ziehen Sie die Tür von dem Rack weg.

Abbildung 1-3. Hintere Türen abnehmen



- | | | | |
|---|-----------------------|---|------------------|
| 1 | Scharnierstift | 2 | Scharniergehäuse |
| 3 | Scharnierstiftgehäuse | | |

! **WARNUNG: Wegen der Größe und des Gewichts der Tür wird empfohlen, diese nach dem Abnehmen mit der Außenfläche nach oben flach hinzulegen.**

- d** Bewahren Sie die Tür mit der Außenfläche nach oben an einem sicheren Platz auf.

Wenn Sie die Tür flach und mit der Außenfläche nach oben hinlegen, vermeiden Sie Schäden an der Beschichtung der Tür.

- e** Wiederholen Sie die Schritte a bis d für die linke Tür.

Wiederanbringen der hinteren Türen

Um die hinteren Türen wieder anzubringen, wiederholen Sie die Schritte zum Entfernen der Türen in der umgekehrten Reihenfolge.

Entfernen und Wiederanbringen der Seitenteile



VORSICHT: Die Seitenteile müssen wieder angebracht werden, bevor Systeme im Rack betrieben werden, um die ausreichende Kühlung im Rack sicherzustellen.



ANMERKUNG: Um die Stabilisatoren montieren zu können, müssen Sie die Seitenteile abnehmen.



ANMERKUNG: Für die Installation von Systemen in einem Rack ist es nicht absolut erforderlich, die Seitenteile abzunehmen. Allerdings lassen sich Gleit- und Stützschiene leichter einbauen, wenn die Seitenteile abgenommen wurden, und Sie können die vordere Tür so einbauen, dass sie sich in die entgegengesetzte Richtung öffnet.

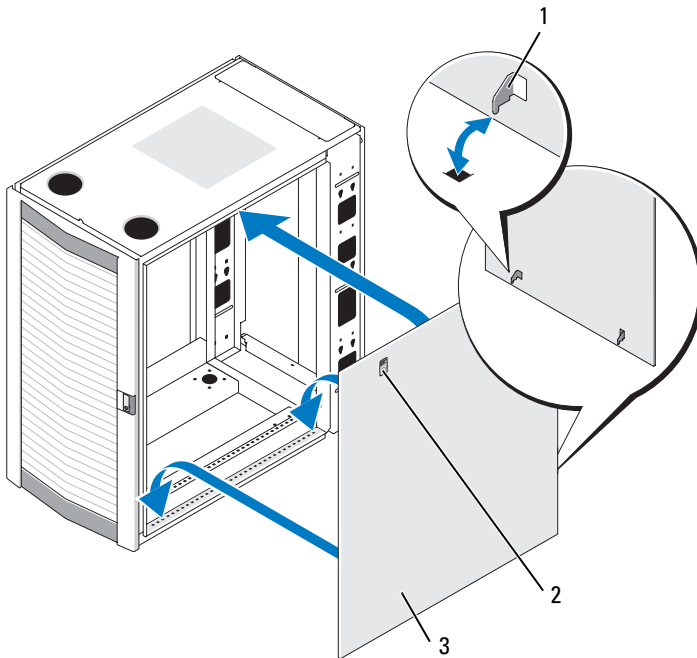
Entfernen der Seitenteile

- 1 Ziehen Sie beide Sicherungen nach unten und lassen Sie das Seitenteil oben etwas nach außen klappen (siehe Abbildung 1-4).
- 2 Fassen Sie die Kanten des Seitenteils fest an.
- 3 Heben Sie das Seitenteil nach oben, bis die Haken des Seitenteils nicht mehr in den Öffnungen unten am Rackrahmen sitzen.
- 4 Legen Sie das Seitenteil mit der Außenfläche nach oben an einen sicheren Ort, um Beschädigungen an der Beschichtung zu vermeiden.
- 5 Wiederholen Sie Schritt 1 bis Schritt 4 für das andere Seitenteil.

Wiedereinbauen der Seitenteile

- 1 Setzen Sie das Seitenteil in das Rack. Achten Sie darauf, dass der hintere Haken am Seitenteil in die hintere Öffnung unten am Rackrahmen und der vordere Haken am Seitenteil in die entsprechende Öffnung auf der Vorderseite des Rackrahmens eingesetzt wird (siehe Abbildung 1-4).
- 2 Klappen Sie das obere Ende des Seitenteils zum Rack hin.
- 3 Drücken Sie das Seitenteil in das Rack, bis beide Sicherungen einrasten.

Abbildung 1-4. Seitenteile wieder anbringen



- 1 Haken am Seitenteil (2)
- 2 Sicherungen (2)
- 3 Seitenteile (2)

Umgekehrtes Einbauen der vorderen Tür (optional)

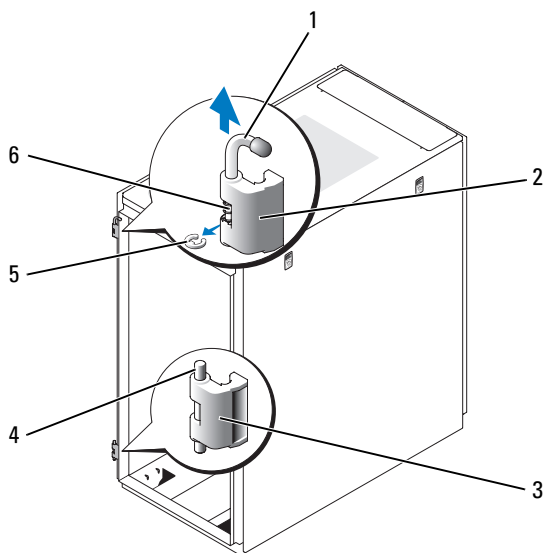
ANMERKUNG: Nehmen Sie mithilfe eines 4-mm-Inbusschlüssel die Scharniergehäuse der vorderen Tür vom Rack ab. Montieren Sie die Gehäuse dann so, dass sie ihrer ursprünglichen Einbauposition gegenüberliegen.

Unter Beachtung der folgenden Schritte lässt sich die Tür in entgegengesetzter Richtung öffnen:

- 1 Nehmen Sie die vordere Tür ab (siehe „Entfernen der vorderen Tür“ auf Seite 66).
- 2 Entfernen Sie die Seitenteile (siehe „Entfernen und Wiederanbringen der Seitenteile“ auf Seite 70).

- 3** Drehen Sie das obere Scharniergehäuse um.
- a** Ziehen Sie den Scharnierstift vorsichtig nach oben, sodass Sie auf den Halteclip zugreifen können (siehe Abbildung 1-5).

Abbildung 1-5. Scharniere für die vordere Tür abnehmen

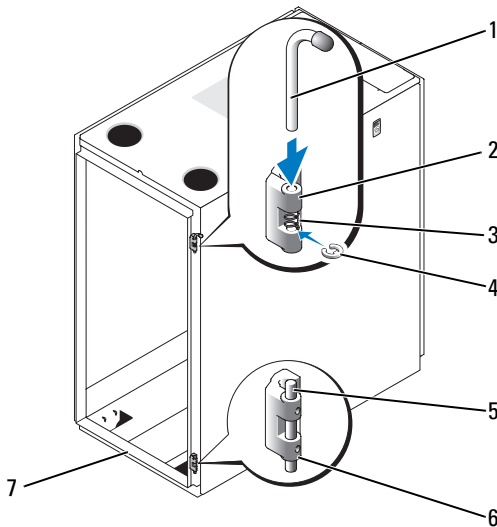


- | | | | |
|---|-------------------|---|-------------------------|
| 1 | Scharnierleiste | 2 | Oberes Scharniergehäuse |
| 3 | Unteres Scharnier | 4 | Scharnierstift |
| 5 | Halteklammer | 6 | Scharnierfeder |

- b** Entfernen Sie den Halteclip mit der Spitzzange und lassen Sie dann den Scharnierstift aus dem Scharniergehäuse gleiten.
- c** Nehmen Sie die Scharnierfeder aus dem Scharniergehäuse.
- d** Bewahren Sie den Scharnierstift, den Halteclip und die Feder gut auf.

- e Entfernen Sie mit einem 4-mm-Inbusschlüssel die Inbusbolzen, mit deren Hilfe das Scharniergehäuse am Rack befestigt ist. Bewahren Sie die Bolzen zusammen mit dem Scharnierstift, dem Halteclip und der Scharnierfeder auf.
- f Drehen Sie das Scharniergehäuse um 180 Grad, sodass die Scharnierstiftlöcher sich auf der rechten Seite des Scharnierloches befinden (siehe Abbildung 1-6).

Abbildung 1-6. Oberes und unteres Scharnier umdrehen

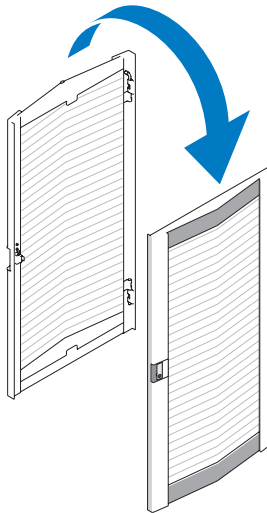


- | | | | |
|---|-----------------|---|--------------------------|
| 1 | Scharnierstift | 2 | Oberes Scharniergehäuse |
| 3 | Feder | 4 | Halteklammer |
| 5 | Scharnierleiste | 6 | Unteres Scharniergehäuse |
| 7 | Rackvorderseite | | |

- g Suchen Sie die oberen Bolzenlöcher auf der rechten Rackseite. Befestigen Sie darin das Scharniergehäuse mithilfe der Inbusbolzens.
- h Fügen Sie die Feder zwischen dem oberen und dem unteren Scharnierstiftloch des unteren Scharniergehäuses ein.
- i Lassen Sie den Scharnierstift in das Scharniergehäuse gleiten.
- j Fügen Sie den Halteclip unterhalb der Feder in das Scharnier ein.

- 4 Drehen Sie das untere Scharniergehäuse um.
 - a Entfernen Sie die Inbusbolzen, mit deren Hilfe das Scharniergehäuse am Rack befestigt ist. Bewahren Sie die Bolzen gut auf.
 - b Drehen Sie das Scharniergehäuse um 180 Grad, sodass die Scharnierleisten sich auf der rechten Seite des Scharniergehäuses befinden (siehe Abbildung 1-6).
 - c Suchen Sie die unteren Bolzenlöcher auf der rechten Rackseite. Befestigen Sie darin das Scharniergehäuse mithilfe der Inbusbolzen.
- 5 Drehen Sie die vordere Tür um 180 Grad, sodass ihre Scharnierstiftgehäuse sich auf der rechten Seite befinden (siehe Abbildung 1-7).

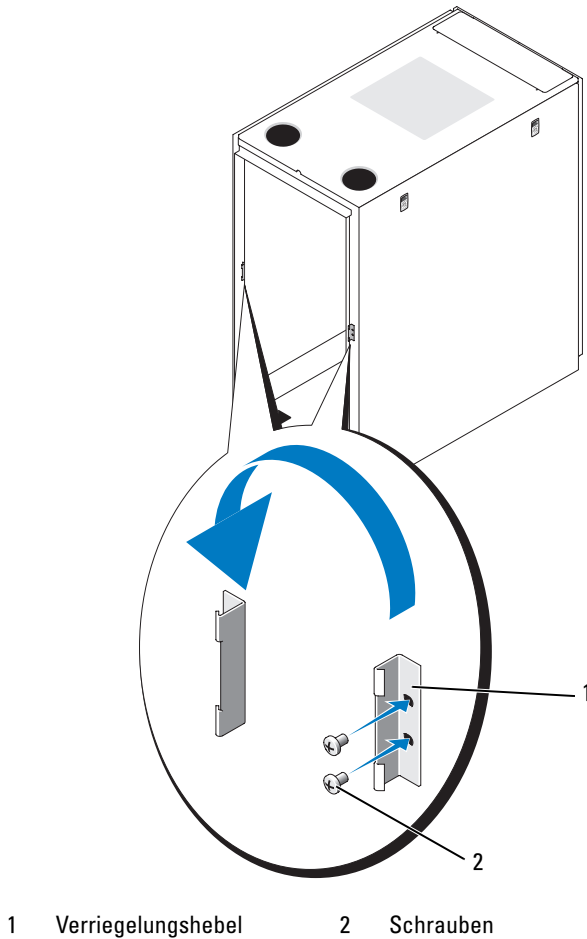
Abbildung 1-7. Vordere Tür umdrehen



- 6 Hängen Sie die vordere Tür wieder ein, indem Sie die unter „Entfernen der vorderen Tür“ auf Seite 66 aufgeführten Schritte in umgekehrter Reihenfolge ausführen.
- 7 Drehen Sie den Verriegelungshebel um.
 - a Entfernen Sie die beiden Kreuzschlitzschrauben, mit denen der Verriegelungshebel am vertikalen Rahmenteil des Racks befestigt ist.
 - b Entfernen Sie den Verriegelungshebel und drehen Sie ihn um 180 Grad.

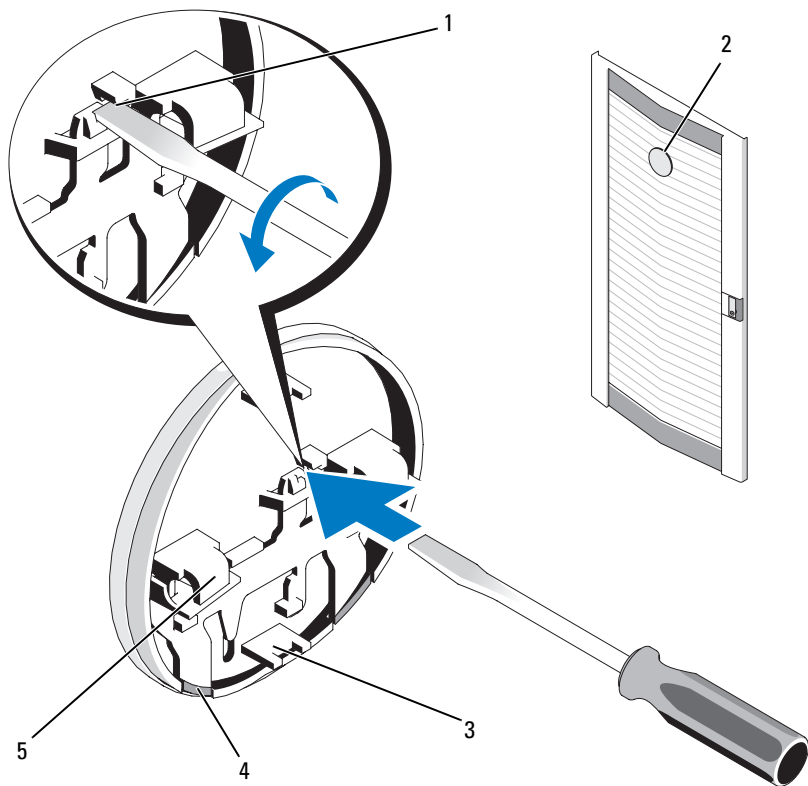
- c Bringen Sie den Verriegelungshebel wieder am vertikalen Rahmenteil des anderen Racks an. Richten Sie dabei die Löcher der Verriegelung nach den Löchern am Rahmen aus und bringen Sie die zwei Kreuzschlitzschrauben wieder an.

Abbildung 1-8. Verriegelungshebel der vorderen Tür umkehren



- 8** Drehen Sie die auf der vorderen Tür angebrachte Plakette um.
- a** Öffnen Sie die vordere Tür.
 - b** Führen Sie von der Innenseite der Tür aus einen Senkkopfschraubendreher in die Verriegelungskerbe der Plakette ein (siehe Abbildung 1-9).

Abbildung 1-9. Plakette auf der vorderen Tür umdrehen




- | | | | |
|---|---------------------------------|---|--------------------------------|
| 1 | Verriegelungskerbe der Plakette | 2 | Plakette auf der vorderen Tür |
| 3 | Mittlere Laschen (2) | 4 | Halteklammern der Plakette (2) |
| 5 | Haken an der Plakette (2) | | |


- c Stecken Sie den Schraubendreher so weit es geht in die Kerbe und drehen Sie ihn entgegen dem Uhrzeigersinn.
- d Hebeln Sie die Plakette ab und entfernen Sie sie von der Tür.
- e Drehen Sie die Plakette um 180 Grad, damit sie nach dem Wiedereinbau korrekt gelesen werden kann.
- f Machen Sie den vierten horizontalen Riegel von der Oberseite der Tür aus ausfindig und schieben Sie die Haken der Plakette darüber. Richten Sie dabei die mittleren Laschen der Plakette am vertikalen Riegel der Tür aus.
- g Drücken Sie die Halteklammern der Plakette nach oben, bis sie geschlossen sind und die Plakette gesichert ist.


Einstellen der höhenverstellbaren Rackfüße

 **WARNUNG: Lesen Sie die folgenden Anweisungen komplett durch, bevor Sie mit dem Anpassen der höhenverstellbaren Füße beginnen.**

Ihr Rack enthält vier höhenverstellbare Füße, die an den Ecken des Racks befestigt werden. Mit den Füßen können Sie das Rack waagrecht ausrichten, wenn es auf einem leicht unebenen Untergrund steht. Bevor Sie Ihr System im Rack installieren, montieren Sie die Füße und passen Sie sie an den Untergrund an. Folgen Sie beim Ausrichten Ihres Rack diesen Anweisungen.

 **WARNUNG: Sorgen Sie beim Anpassen der Füße dafür, dass die Rollen an den vier Ecken des Racks nicht mehr als 9,5 mm vom Boden abgehoben sind. Falls beim Anpassen der höhenverstellbaren Füße mehr als 9,5 mm Zwischenraum zwischen dem Boden und den Rollen entsteht, fahren Sie die Füße *langsam* ein und stellen Sie das Rack an einen anderen Stellplatz, an dem die höhenverstellbaren Füße nur wenig angepasst werden müssen**

 **WARNUNG: Verstellen Sie die Füße, bis jeder Fuß fest auf dem Boden aufliegt. Nur bei festem Bodenkontakt können die einzelnen Füße das Gewicht des Racks tragen und ein Wackeln des Racks wird verhindert. Wenn nicht alle höhenverstellbaren Füße festen Bodenkontakt haben, könnte das Rack aus dem Gleichgewicht geraten und umkippen.**

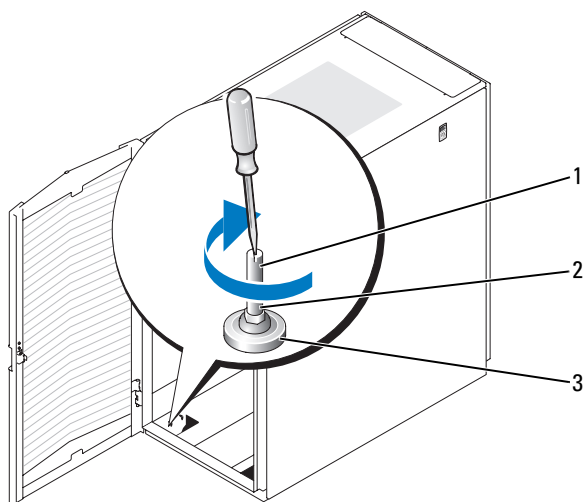
 **WARNUNG: Versuchen Sie nicht, das Rack mit ausgefahrenen Füßen zu verschieben. Fahren Sie grundsätzlich zuerst die Füße ein, bevor Sie das Rack bewegen. Bei ausgefahrenen Füßen könnte das Rack umkippen, wenn Sie versuchen, es zu verschieben.**

⚠️ WARNUNG: Vor dem Installieren Ihrer Systeme sollten Sie grundsätzlich das Rack ausrichten und die Stabilisatoren befestigen. Ein voll beladenes Rack könnte umkippen, wenn es auf einem unebenen Untergrund steht und das Gewicht des Racks nicht auf den höhenverstellbaren Füßen und Stabilisatoren lastet.

🔧 ANMERKUNG: Ist das Rack nicht korrekt ausgerichtet, können die Stabilisatoren eventuell nicht angebracht werden. Ohne die Stabilisatoren könnte das Rack umkippen.

- 1 Senken Sie mit einem Schraubendreher den Fuß, bis er auf dem Boden aufliegt.
- 2 Wenn Sie den Fuß noch weiter herausfahren möchten, drehen Sie die Sechskantmutter mit einem 12-mm-Schraubenschlüssel im Uhrzeigersinn fest (siehe Abbildung 1-10).

Abbildung 1-10. Höhenverstellbare Füße anpassen



- 1 Schaft des höhenverstellbaren Fußes 2 Sechskantmutter
3 Nivellierungsblock

- 3 Wiederholen Sie Schritt 1 und 2 für die übrigen höhenverstellbaren Füße.
- 4 Überprüfen Sie, ob das Rack eben und stabil steht.

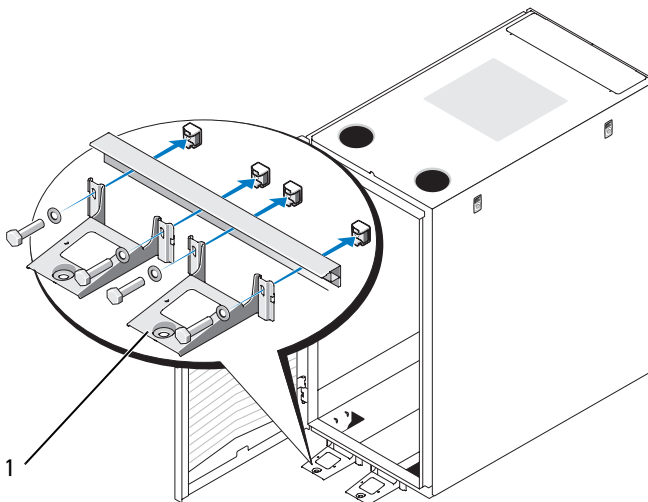
Anbringen der Stabilisatoren

! **WARNUNG:** Werden Systeme in einem Rack installiert, an dem die vorderen und seitlichen Stabilisatoren fehlen, kann das Rack umkippen, was unter Umständen schwere Verletzungen nach sich ziehen kann. Befestigen Sie daher immer zuerst die Stabilisatoren, bevor Sie Komponenten im Rack installieren.

Befestigen der vorderen Stabilisatoren

- 1 Öffnen Sie die vordere Tür.
- 2 Fassen Sie in das Rack und ziehen Sie alle Stabilisatoren fest nach oben, um sie vom Rahmen zu lösen.
- 3 Entfernen Sie die Kunststoffbefestigungen, die an den Stabilisatoren angebracht sind.
- 4 Legen Sie die vorderen Stabilisatoren jeweils vor den Rackrahmensockel und richten Sie die Fußlöcher nach den entsprechenden Rahmenlöchern aus.
- 5 Befestigen Sie den Stabilisator mithilfe der mitgelieferten Schrauben, Unterlegscheiben und Käfigmuttern am Rack, wie in Abbildung 1-11 dargestellt.

Abbildung 1-11. Vordere Stabilisatoren befestigen

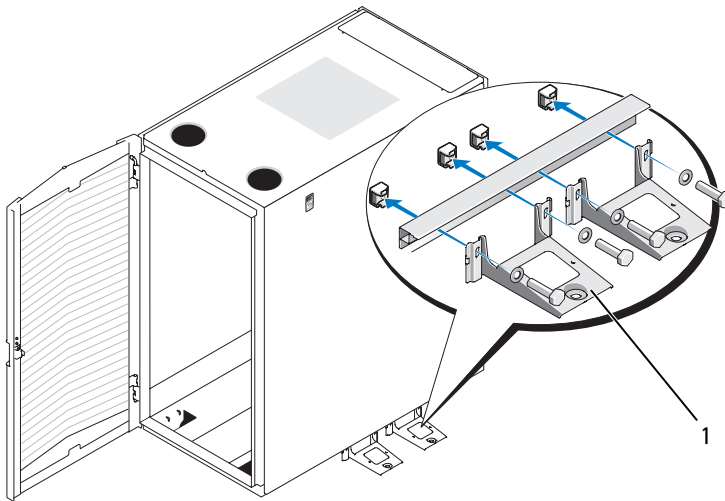


1 Vordere Stabilisatoren (2)

Befestigen der seitlichen Stabilisatoren

- 1 Nehmen Sie das Seitenteil ab.
- 2 Suchen Sie die vier seitlichen Öffnungen in der unteren Schiene des Rackrahmens (siehe Abbildung 1-12).
- 3 Legen Sie die Stabilisatoren jeweils vor den Rackrahmensockel und richten Sie die Fußlöcher nach den entsprechenden Rahmenlöchern aus.

Abbildung 1-12. Seitliche Stabilisatoren befestigen



1 Seitliche Stabilisatoren (2 pro Seite)

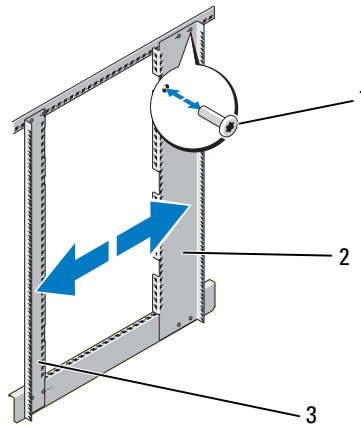
- 4 Befestigen Sie den Stabilisator mithilfe der mitgelieferten Schrauben, Unterlegscheiben und Käfigmutter am Rack, wie in Abbildung 1-12 dargestellt.

Anpassen der Rackstützen (optional)

Die Stellungen der Rackstützen lassen sich an Systeme mit unterschiedlicher Tiefe anpassen.

- 1 Öffnen Sie die Türen des Racks.
- 2 Entfernen Sie die Schrauben von der Unterseite und der Oberseite der Stützen (siehe Abbildung 1-13).
- 3 Bewegen Sie die Stütze auf die gewünschte Position auf der Innenseite des Racks und setzen Sie die Schrauben in die entsprechenden Öffnungen ein.

Abbildung 1-13. Rackstützen anpassen



- | | | | |
|---|--------------------|---|--------------------|
| 1 | Schrauben | 2 | Hintere Rackstütze |
| 3 | Vordere Rackstütze | | |



ANMERKUNG: Jetzt können Sie Systeme im Rack installieren. Orientieren Sie sich bei der Installation von Produkten im Rack an den weißen nummerierten Etiketten auf der Vorder- und Rückseite der Rackmontageschienen.

Verlegen der Kabel

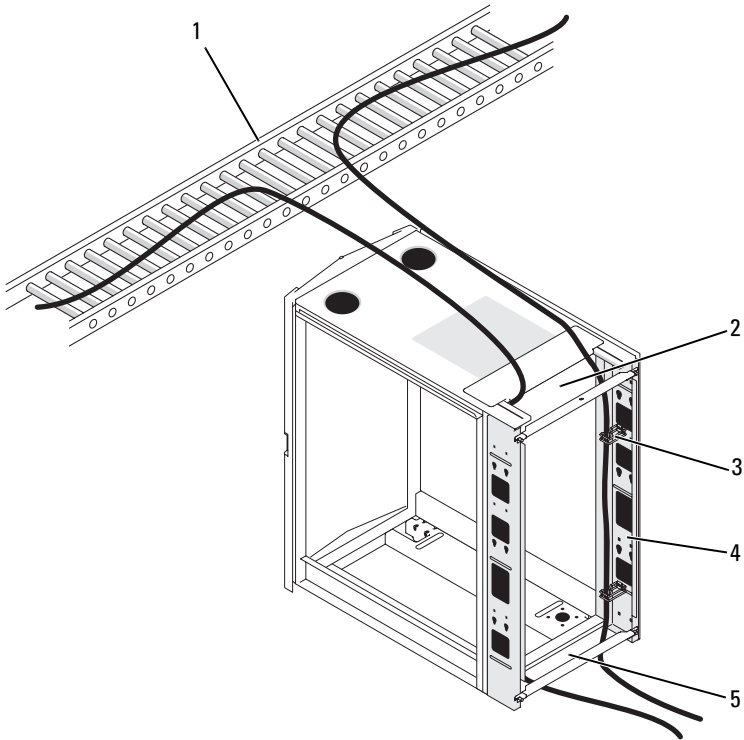
Das 24-U-Rack verfügt über verschiedene Merkmale für eine einfache Kabelverlegung (siehe Abbildung 1-14).

- Durch vier Stromverteilerrohre (PDU-Röhren) in jedem Rackflansch können die Stromkabel zu den im Rack installierten Systemen geführt werden
- In die PDU-Röhren können Kabelklemmen montiert werden, um eine verwicklungsfreie Kabelführung zu ermöglichen.

Für die Kabelführung aus dem Rack heraus gibt es in einer Standardkonfiguration zwei Möglichkeiten:

- Durch den Kabelausgang auf der Unterseite der hinteren Türen (siehe Abbildung 1-14)
- Durch den verstellbaren Kabelschlitz an der Oberseite des Racks in einen Kabelkanal (siehe Abbildung 1-14).

Abbildung 1-14. Optionen für die Kabelführung



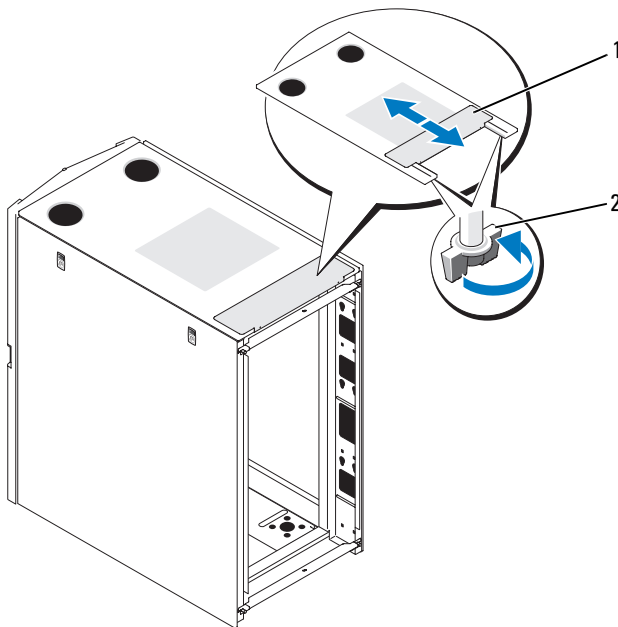
- | | | | |
|---|-------------------------|---|--------------------------|
| 1 | Kabelkanal | 2 | Oberer Kabelausschnitt |
| 3 | Kabelklemmen | 4 | PDU-Röhren (2 pro Seite) |
| 5 | Unterer Kabelausschnitt | | |

Öffnen und Schließen des oberen Kabelschlitzes

Durch den oberen Kabelschlitz können Kabel zu einem Kabelkanal verlegt werden.

- 1 Öffnen Sie die hinteren Türen.
- 2 Lösen Sie die Flügelschrauben unter der Kabelschlitzabdeckung (siehe Abbildung 1-15).
- 3 Schieben Sie die Kabelschlitzabdeckung in die geöffnete Position in Richtung der Vorderseite des Racks.
- 4 Nachdem Sie die Kabel durch die Oberseite des Racks geführt haben, schließen Sie die ggf. verbleibende Lücke im Kabelschlitz, indem Sie die Kabelschlitzabdeckung zur Rückseite des Racks verschieben. Sichern Sie die Abdeckung mit den Flügelschrauben.

Abbildung 1-15. Kabelschlitz öffnen und schließen



1 Kabelschlitzabdeckung

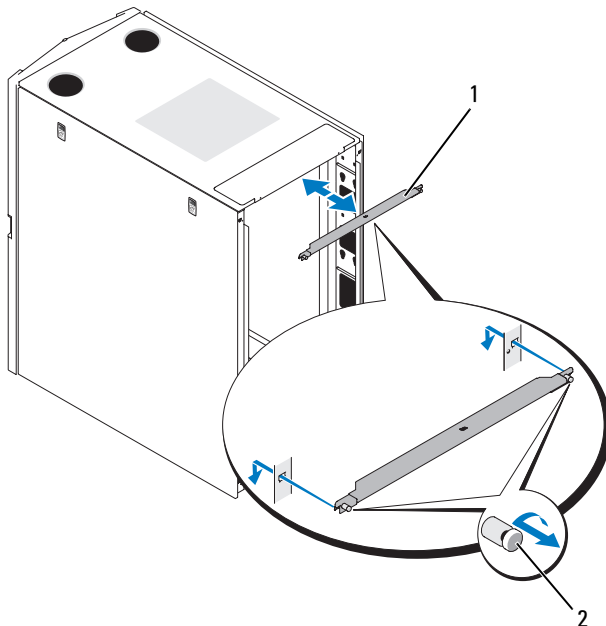
2 Flügelschraube (2)

Entfernen und Einsetzen der Stabilisierungsriegel für die hintere Tür

Die oberen und unteren Riegel, die die hinteren Türen stabilisieren, lassen sich entfernen, um das Verlegen der Kabel durch die Oberseite und Unterseite des Racks zu erleichtern.

- 1 Öffnen Sie die hinteren Türen.
- 2 Ziehen und halten Sie die Stöpsel auf beiden Seiten des Riegels und ziehen Sie den Riegel nach oben und weg vom Rack (siehe Abbildung 1-16).
- 3 Nachdem Sie die Kabel verlegt haben, setzen Sie die Riegel wieder ein, indem Sie die Laschen auf den Riegeln an den entsprechenden Öffnungen im Rack ausrichten und die Riegel hinein und nach unten drücken, bis die Stöpsel einrasten.

Abbildung 1-16. Stabilisierungsriegel für die hintere Tür entfernen und einsetzen



1 Stabilisierungsriegel
für die hintere Tür (2)

2 Stöpsel (2 pro Riegel)

Stichwortverzeichnis

H

Hintere Tür
entfernen, 68
öffnen, 68

Höhenverstellbare Füße, 77

K

Kabel
verlegen, 82
Kabel verlegen, 82

R

Rack-Stabilisierungs-
standfüße, 65, 79

S

Seitenteile
entfernen, 70
Sicherheitshinweise, 63

T

Türen
entfernen, 66

V

Vordere Tür
entfernen, 66, 68
umdrehen, 71

W

Werkzeuge und Zubehör, 66

Dell™ PowerEdge™ 2420

設置ガイド



メモ、注意、警告



メモ：コンピュータを使いやすくするための重要な情報を説明しています。



注意：手順に従わない場合は、ハードウェアの損傷やデータの損失の可能性を示しています。



警告：物的損害、けがまたは死亡の原因となる可能性があることを示します。

本書の内容は予告なく変更されることがあります。
© 2008 すべての著作権は Dell Inc. にあります。

Dell Inc. の書面による許可のない複製は、いかなる形態においても厳重に禁じられています。

Dell、DELL ロゴ、および PowerEdge は Dell Inc. の商標です。

商標または製品の権利を主張する事業体を表すためにその他の商標および社名が使用されていることがあります。それらの商標や会社名は、一切 Dell Inc. に帰属するものではありません。

目次

安全にお使いいただくために	93
安全について：システムのラックへの取り付け	93
取り付け手順	93
ラックの要件	94
ラックへの取り付け	94
作業を開始する前に	94
取り付け手順	95
奨励するツールおよび備品	95
ラックの扉の取り外しと取り付け	96
サイドパネルの取り外しと取り付け	99
前面扉の逆転（オプション）	100
ラック水平調節用の脚の固定	106
ラックスタビライザの取り付け	107
前面スタビライザの取り付け	107
側面スタビライザの取り付け	108
ラックポストの調整（オプション）	109
ケーブルの配線	110
索引	115

安全にお使いいただくために

ご自身の身体の安全を守り、システムおよび作業環境を保護するために、以下の安全に関するガイドラインに従ってください。安全および認可機関に関する詳細情報は、システムに付属しているマニュアルの安全にお使いいただくための注意事項を参照してください。保証に関する情報は、『サービス&サポートのご案内』を参照してください。

安全について：システムのラックへの取り付け

ラックの安定性や安全性に関して、以下の点にご注意ください。また、特定の注意文および手順については、システムおよびラック付属のラック取り付けマニュアルを参照してください。

システムはラックの一部とみなします。「コンポーネント」には、さまざまな周辺機器やサポートハードウェアと同様に、システムも含まれます。


警告：ラックに取り付けるシステムの注意事項

- お使いのラックキットは、ご購入いただいたラックキャビネット専用として承認されています。システムをその他のラックに取り付ける場合は、ユーザーの責任において、適用されるすべての基準に適合することを確認してください。デルでは、本製品以外のラックとの組み合わせは保証しておらず、いかなる責任も負いません。
- システムをラックに取り付ける前に、前面と側面のスタビライザをすべて取り付けてください。スタビライザを取り付けないと、ラックが転倒するおそれがあります。
- ラックには必ず下から上へと、最も重いものから順に設置します。
- ラックに電力を供給する AC 分岐回路に過重電流を流さないでください。
- ラック内のコンポーネントの上に乗ったり、足をかけたりしないでください。

取り付け手順

この取り付けガイドは、24 ユニット (U) ラックの取り付け作業を行う、トレーニングを受けたサービス技術者向けの手順書です。本書では、ラックの組み立ておよびラックでのケーブル配線について説明します。24U ラックの取り付けは、推奨された工具を使って行ってください。






ラックの要件

-  **注意**：24U ラックは、米国規格協会（ANSI）/ 米国電子工業会（EIA）規格 ANSI/EIA-310-D-92、全米家電協会（CEA）規格 CEA-310-E、国際電気標準会議（IEC）規格 297、ドイツ工業規格（DIN）41494 に適合しています。

ラックへの取り付け


以下の取り付けを開始する前に、手順を最後までよくお読みください。

作業を開始する前に

-  **警告**：ラックへの取り付け作業を開始する前に、「安全に関する重要な注意」、およびラックに付属しているガイドの安全にお使いいただくための注意事項をよくお読みください。
-  **警告**：複数のシステムをラックに取り付ける場合は、1台のシステムの取り付け手順を完了してから、次のシステムの取り付けに進んでください。
-  **警告**：ラックキャビネットはサイズが非常に大きく重量もあるため、キャスターで簡単に移動できるようになっています。このキャスターにはブレーキがありません。ラックキャビネットを移動するときは十分な注意が必要です。ラックキャビネットを別の場所に移動するときは、水平調節用の脚を収納してください。長い傾斜面、急勾配、または凹凸のある場所、スロープなど、バランスが取りにくい場所にはキャビネットを設置しないでください。水平調節用の脚を伸ばしてキャビネットを支え、キャビネットが動かないようにしてください。
-  **警告**：ラックキャビネットの移動を凹凸のある場所で行わないでください。キャスターが強い衝撃を受けて壊れ、ラックが不安定になって転倒するおそれがあります。
-  **警告**：コンポーネントを取り付けた状態でラックを移動しないでください。フル装備のラックを少しでも傾斜している床面に移動すると、ラックが不安定になり、転倒する場合があります。

安全に関する重要な注意

システムをラックに取り付けるときは、次の各項の安全に関する注意を遵守してください。

-  **警告**：作業者は、自分自身と周囲の人々を保護するために、本書の手順に必ず従ってください。本システムは非常に重量があり大きいため、自分自身と周囲の人々のけがを防ぐために準備と計画を適切に行うことが重要です。これは、特にシステムをラックの高い位置に取り付ける場合に重要になります。

⚠ 警告：ラックキャビネットが安定するように、一番下の3Uスペースには必ず23 kg（50 ポンド）以上の重量があるシステムを取り付けてください。

ラックスタビライザ

⚠ 警告：ラック前面および横のスタビライザを取り付けずにラックにシステムを取り付けると、ラックが転倒し、けがをするおそれがあります。このため、必ずスタビライザを取り付けてから、ラックにコンポーネントを取り付けるようにしてください。

⚠ 警告：ラックにシステムを取り付けた後は、スライドアセンブリ上の複数のシステムを同時にラックから引き出さないでください。引き出された複数のシステムの重みでラックが転倒し、けがをするおそれがあります。

スタビライザは、スライドアセンブリが伸びきった状態でラックからシステムやその他のコンポーネントを引き出す際に、ラックの転倒を防ぎます。

取り付け手順

ラックキャビネットの取り付けでは、以下のような作業を行います。

- 1 ラックの扉の取り外しと取り付け
- 2 サイドパネルの取り外しと取り付け
- 3 前面扉とバッジの反転（オプション）
- 4 水平調節用の脚の固定
- 5 スタビライザの取り付け
- 6 ラックポストの調整（オプション）
- 7 ラック内のケーブルの配線

奨励するツールおよび備品

ラックを取り付けるには、以下のような工具と備品が必要です。

- #2 プラスドライバ
- マイナスドライバ
- 12 mm レンチ
- ラジオペンチ
- 4 mm アレンレンチ（前面扉の開閉方向を逆にする場合）
- ラックの扉およびサイドパネルのキー（ラックキットに同梱）
- 13 mm レンチ（ラックをパレットから取り外す際に使用）
- 17 mm レンチ（ラックをパレットから取り外す際に使用）

ラックの扉の取り外しと取り付け

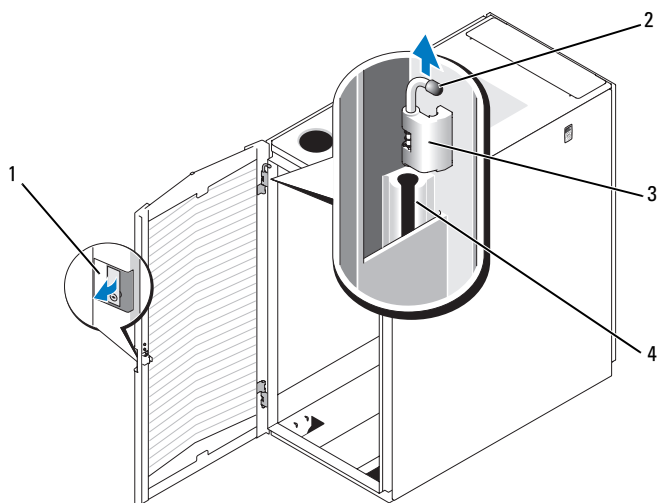
⚠ 警告：扉を保管する際には、不意に倒れてけがをしないように水平に寝かせておきます。

前面扉の取り外し

- 1 扉のラッチを引き、前面扉を完全に開きます（図 1-1 を参照）。
- 2 扉を開けたまま、上部ヒンジピンを上へ引き、扉のピン受けから外します（図 1-1 を参照）。

ヒンジピンには固定クリップがあるため、ヒンジがヒンジ本体から外れることはありません。

図 1-1 前面扉の取り外し



- | | | | |
|---|-------|---|------------|
| 1 | 扉のラッチ | 2 | ヒンジピン |
| 3 | ヒンジ本体 | 4 | ヒンジピンのピン受け |

- 3 ヒンジピンをピン受けから引き出した状態で、扉をラックから少し手前に引き、ヒンジ本体から外します。
- 4 ヒンジピンを元に戻します。
- 5 扉を持ち上げ、下部のヒンジ軸を外します。

⚠ 警告：取り外した扉は、サイズと重量を考慮して、外側の面を上に向けて水平に寝かせておくことをお勧めします。

- 6 外側の面を上に向けて、扉を安全な場所に置きます。
外側の面を上に向けて水平に寝かせておくことにより、扉のバッジと化粧仕上げの損傷を防ぐことができます。

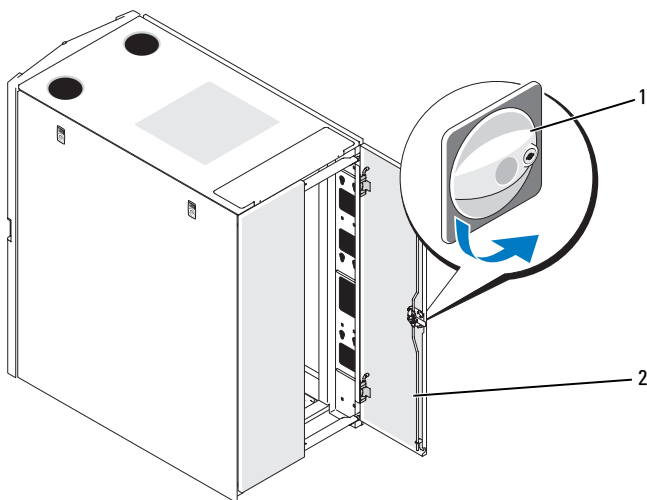
前面扉の取り付け

前面扉を取り付ける場合は、取り外し手順を逆の順番で行います。

背面扉の開放および取り外し

- 1 扉のハンドルを回して、背面扉を開きます（図 1-2 を参照）。

図 1-2 背面扉の開き方



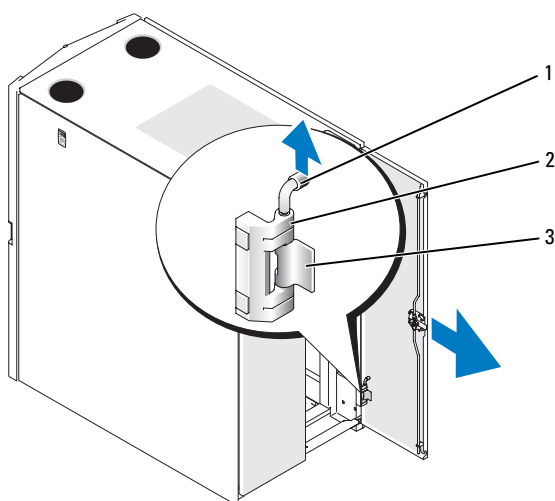
1 扉のハンドル

2 背面扉 (2)

- 2 右の扉を取り外します。
 - a 扉を開いたまま、上部ヒンジのピンを引いて、ピン受けから外します（図 1-3 を参照）。

ピンをピン受けから引き出すと、カチッという音がします。ヒンジピンはヒンジ本体から抜けないような構造になっています。
 - b 下部ヒンジについて、同様の手順を繰り返します。
 - c ラックから扉を外します。

図 1-3 背面扉の取り外し



- | | | | |
|---|------------|---|-------|
| 1 | ヒンジピン | 2 | ヒンジ本体 |
| 3 | ヒンジピンのピン受け | | |

警告：取り外した扉は、サイズと重量を考慮して、外側の面を上に向けて水平に寝かせておくことをお勧めします。

- d 外側の面を上に向けて、扉を安全な場所に置きます。

外側の面を上に向けて水平に寝かせておくことにより、扉の化粧仕上げの損傷を防ぐことができます。
- e 左の扉について、手順 a から d を繰り返します。

背面扉の取り付け

背面扉を取り付ける場合は、上記の手順を逆の順番で行います。

サイドパネルの取り外しと取り付け



警告：ラック内を確実に冷却するために、ラック内のシステムに電源を入れる前にサイドパネルを取り付ける必要があります。



メモ：側面スタビライザを取り付ける場合は、サイドパネルを取り外す必要があります。



メモ：ラックにシステムを取り付けるためにサイドパネルを外す必要はありませんが、側面部を開けておくことにより、スライドアセンブリおよびサポートレールを取り付けたり、前面扉が開く方向を替える作業が容易になります。

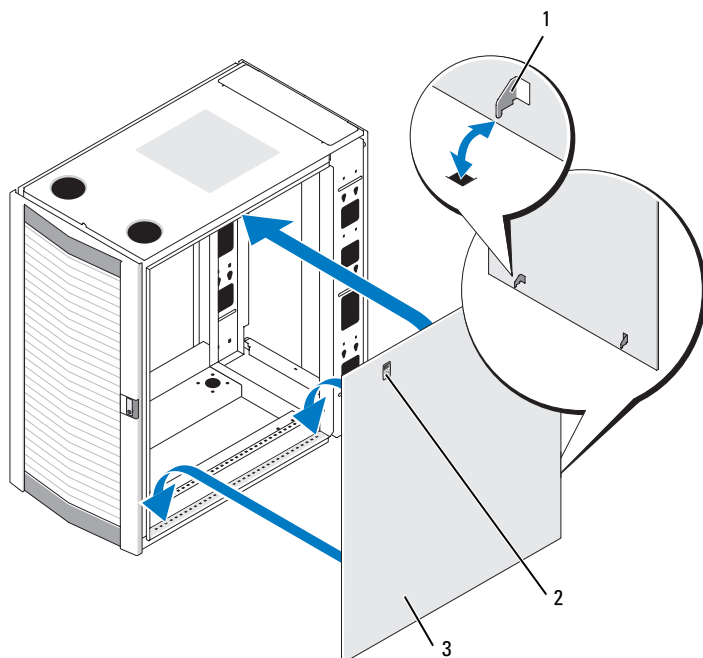
サイドパネルの取り外し

- 1 両方のラッチを引き下げ、サイドパネルの上部が外側に向かってわずかに開くようにします（図 1-4 を参照）。
- 2 パネルの両側をしっかりと持ちます。
- 3 パネルフックがラックフレーム底部の穴から外れるまで、パネルを持ち上げます。
- 4 パネルの化粧仕上げに傷がつくのを防ぐために、外側の面を上に向けて、パネルを安全な場所に置きます。
- 5 反対側のパネルについて、手順 1 から手順 4 を繰り返します。

サイドパネルの取り付け

- 1 パネルをラック内に下ろし、後部パネルフックをラックフレーム底部の後部穴に、前面フックをラックフレーム前部の対応する穴に、それぞれ挿入します（図 1-4 を参照）。
- 2 パネルの上端をラックに近づけます。
- 3 両方のラッチが所定の位置に固定されるまで、パネルをラックに押し付けます。

図 1-4 サイドパネルの取り付け



- 1 パネルフック (2) 2 ラッチ (2)
3 サイドパネル (2)

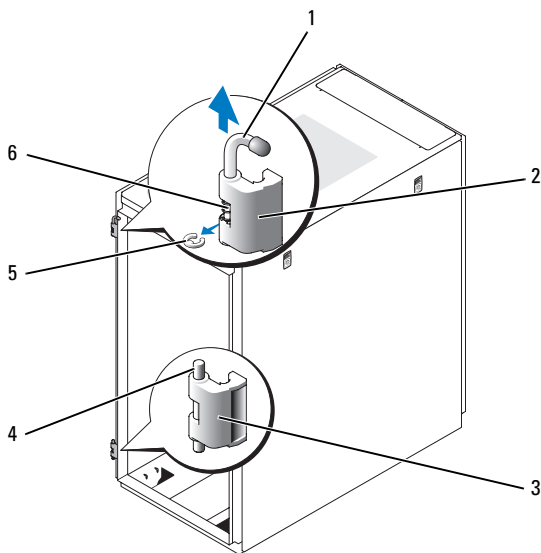
前面扉の逆転（オプション）

メモ： ラックから前面扉のヒンジ本体を取り外し、それを反対側に取り付けなおす作業には、4 mm のアレンレンチを使用します。

前面扉が開く方向を替えるには、次の手順を実行します。

- 1 前面扉を取り外します（96 ページの「前面扉の取り外し」を参照）。
- 2 サイドパネルを取り外します（99 ページの「サイドパネルの取り外しと取り付け」を参照）。
- 3 上部ヒンジ本体を逆にします。
 - a ヒンジピンを少し上に引き出して、固定クリップの作業が行えるようにします（図 1-5 を参照）。

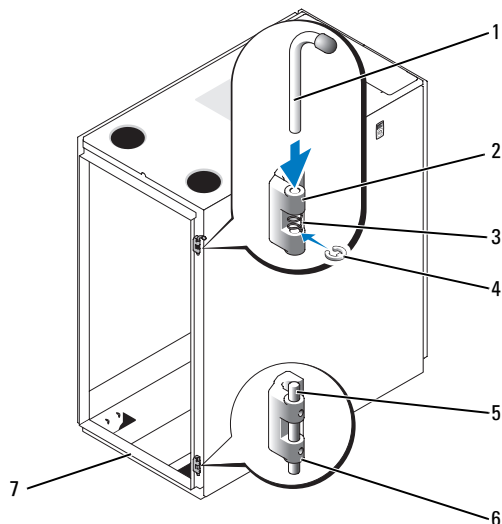
図 1-5 前面扉ヒンジの取り外し



- | | | | |
|---|--------|---|---------|
| 1 | ヒンジ軸 | 2 | 上部ヒンジ本体 |
| 3 | 底部ヒンジ | 4 | ヒンジピン |
| 5 | 固定クリップ | 6 | 本体スプリング |

- b** ラジオペンチを使って固定クリップを取り外し、ヒンジピンをヒンジ本体から引き抜きます。
- c** ヒンジ本体からヒンジのスプリングを取り外します。
- d** ヒンジピン、固定クリップおよびスプリングを安全な場所に置きます。
- e** 4 mm アレンレンチを使って、ヒンジ本体をラックに固定しているアレンボルトをすべて外し、ボルトとヒンジピン、固定クリップ、本体スプリングをまとめておきます。
- f** ヒンジ本体を 180 度回転させ、ヒンジピンの穴がヒンジ本体の右側にくるようにします (図 1-6 を参照)。

図 1-6 上部および下部ヒンジの反転

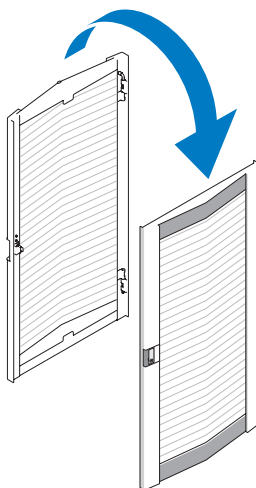


- | | | | |
|---|-------|---|---------|
| 1 | ヒンジピン | 2 | 上部ヒンジ本体 |
| 3 | スプリング | 4 | 固定クリップ |
| 5 | ヒンジ軸 | 6 | 下部ヒンジ本体 |
| 7 | ラック正面 | | |

- g ラック右側上部にあるボルト穴の位置を確認し、アレンボルトを使ってヒンジ本体をラックの右側に固定します。
- h スプリングを下部ヒンジ本体の上下のヒンジピン穴の間に挿入します。
- i ヒンジピンをヒンジ本体に差し込みます。
- j 固定クリップがスプリングの下にくるように、固定クリップをヒンジに挿入します。

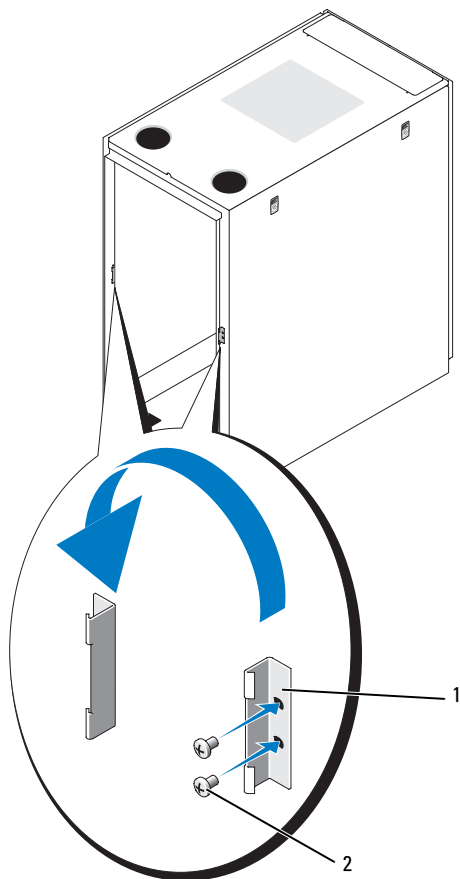
- 4 下部ヒンジ本体を逆にします。
 - a ヒンジ本体をラックに固定しているアレンボルトを外し、ボルトを安全な場所に置きます。
 - b ヒンジ本体を 180 度回転させ、ヒンジ軸がヒンジ本体の右側にくるようにします (図 1-6 を参照)。
 - c ラックの右側にある下部ボルト穴の位置を確認し、アレンボルトを使ってヒンジ本体をラックの右側に固定します。
- 5 ヒンジピンのピン受けが右側にくるように、前面扉を 180 度回転させます (図 1-7 を参照)。

図 1-7 前面扉の反転



- 6 96 ページの「前面扉の取り外し」の手順を逆の順番で行い、前面扉を取り付けます。
- 7 ロックキャッチを逆にします。
 - a ロックキャッチをラックの垂直フレームメンバーに固定している 2 本のプラスネジを外します。
 - b ロックキャッチを取り外して 180 度回転させます。
 - c ロックキャッチをもう一方のラックの前面垂直フレームメンバーに取り付けます。キャッチの穴とフレームメンバーの穴を合わせ、2 本のプラスネジを差し込んで固定してください。

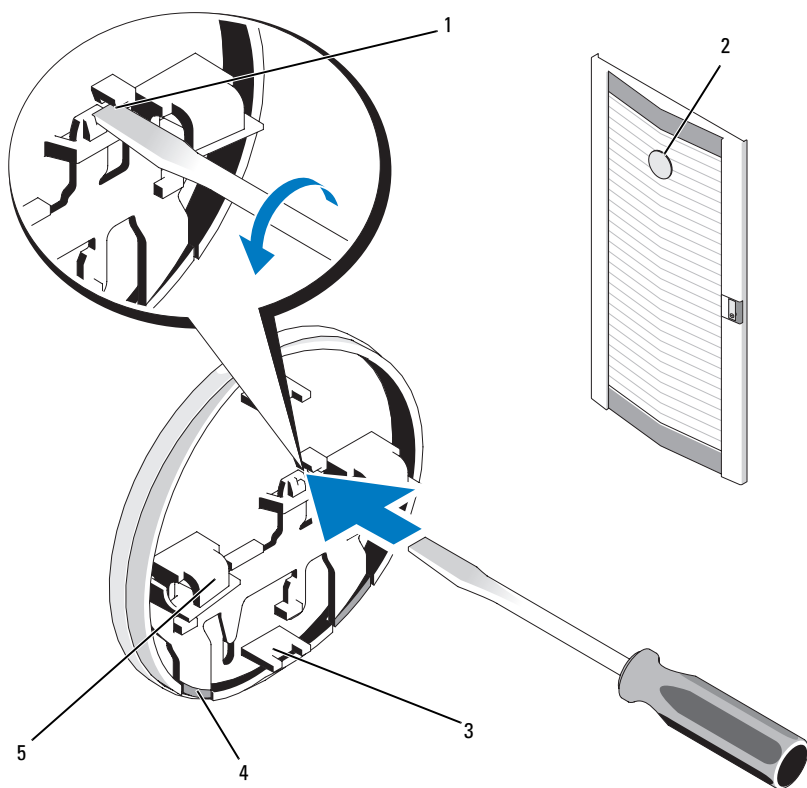
図 1-8 前面扉のロックキャッチの反転



1 ロックキャッチ 2 ネジ

- 8 前面扉のバッジを逆にします。
 - a 前面扉を開きます。
 - b 扉の内側から、マイナスドライバをバッジリリースノッチに挿入します（図 1-9 を参照）。

図 1-9 前面扉のバッジの反転




- | | | | |
|---|------------|---|---------------|
| 1 | バッジリリースノッチ | 2 | 前面扉のバッジ |
| 3 | センタータブ (2) | 4 | バッジ固定クリップ (2) |
| 5 | バッジフック (2) | | |


- c ドライバをバッジリリースノッチの奥まで挿入し、反時計方向に回します。
- d バッジを持ち上げて、扉から外します。
- e 取り付けたときに文字が正しい方向になるように、バッジを 180 度回転させます。


- f 扉の上部から 4 番目の水平バーの位置を確認し、バジフックをその上にスライドさせ、バジのセンタータブを扉の垂直バーに合わせます。
- g バジ固定クリップが閉じてバジが固定されるまで、バジ固定クリップを押し上げます。


ラック水平調節用の脚の固定


 **警告：**水平調節用の脚を調節する前に、以下の注意事項を必ずお読みください。

ラックには 4 本の水平調節用の脚が設置されています。脚はラックの各コーナーに取り付けられています。水平調節用の脚は、若干傾斜している床面にラックを設置するときに、ラックを水平に保つために使用します。ラックにシステムを取り付ける前に、水平調節用の脚を伸ばして調節を行ってください。ラックの水平調節を行う場合は、以下のガイドラインに従ってください。

 **警告：**水平調節用の脚を調節するときは、各コーナーのキャスターが床面から 9.5 mm 以上離れないようにしてください。調節時にキャスターと床面が 9.5 mm 以上離れてしまったら、脚をゆっくりと収納し、許容範囲内で水平に保てる場所にラックを移動してください。

 **警告：**各コーナーの水平調節用の脚が床面にしっかりと接地するように調節してください。水平調節用の脚を確実に接地させることで、ラックの全重量をそれぞれの脚で分散して支えられるようになり、ラックの傾きを防ぐことができます。すべての水平調節用の脚を床面にしっかりと接地させないと、ラックが不安定になり、転倒する場合があります。

 **警告：**水平調節用の脚が接地している状態でラックを移動しないでください。ラックを移動するときは、水平調節用の脚を必ず収納してください。ラックを移動するときに水平調節用の脚が伸びていると、ラックが転倒する場合があります。

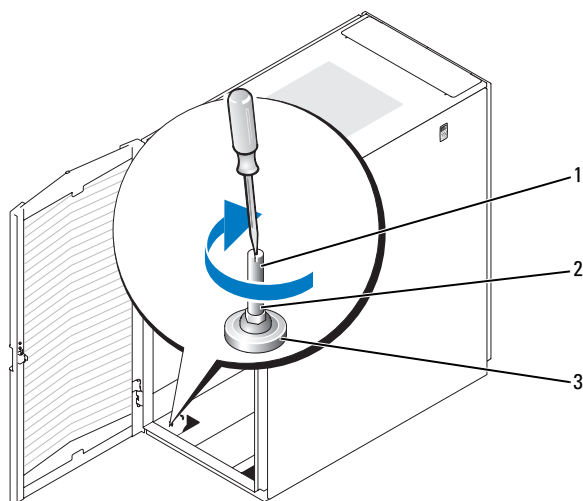
 **警告：**システムを取り付ける前に、必ずラックの水平調節を行い、スタビライザを取り付けてください。傾斜している床面にラックを設置する場合、水平調節用の脚とスタビライザがラックの全重量を支えていないと、ラックに機器をフル装備したときにラックが転倒するおそれがあります。



メモ：ラックが正しく水平に保たれていない場合、ラックの転倒防止に必要なスタビライザを取り付けられない場合があります。

- 1 ドライバを使って水平調節用の脚を伸ばし、床面に接地させます。
- 2 水平調節用の脚をさらに伸ばす場合は、12 mm レンチを使って六角ナットを右回りに締め付けます (図 1-10 を参照)。

図 1-10 水平調節用の脚の調節



- 1 水平調節用の脚のステム 2 六角ナット
3 水平調節パッド

- 3 残りの水平調節用の脚について、手順 1 と 2 を繰り返します。
- 4 ラックが水平になっていることを確認します。

ラックスタビライザの取り付け

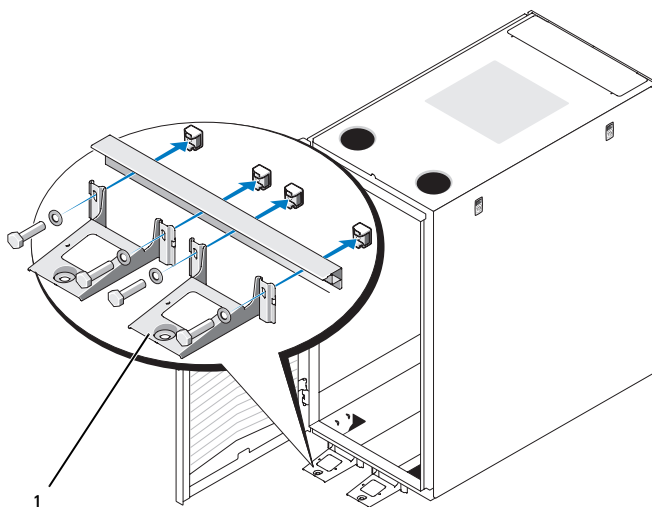
⚠ 警告：ラック前面および横のスタビライザを取り付けずにラックにシステムを取り付けると、ラックが転倒し、けがをするおそれがあります。このため、必ずスタビライザを取り付けてから、ラックにコンポーネントを取り付けるようにしてください。

前面スタビライザの取り付け

- 1 前面扉を開きます。
- 2 ラック内に手を入れ、各スタビライザをしっかりと引き上げて、フレームから外します。
- 3 スタビライザに取り付けられているプラスチックの留め具を外します。

- 4 ラックフレームの底部に各前面スタビライザを合わせ、フレームの対応する穴とスタビライザの穴を揃えます。
- 5 付属のボルト、ワッシャー、およびケーシナットを使用して、各スタビライザをラックに固定します（図 1-11 を参照）。

図 1-11 前面スタビライザの取り付け

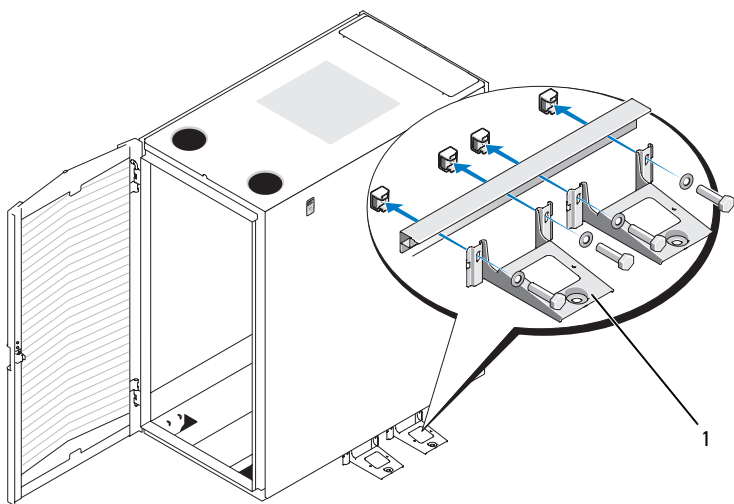


1 前面スタビライザ (2)

側面スタビライザの取り付け

- 1 サイドパネルを取り外します。
- 2 ラックフレームの下部レールの側面にある 4 個のネジ穴の位置を確認します（図 1-12 を参照）。
- 3 ラックフレームの底部に各スタビライザを合わせ、フレームの対応する穴とスタビライザの穴を揃えます。

図 1-12 側面スタビライザの取り付け



1 側面スタビライザ（左右に各2）

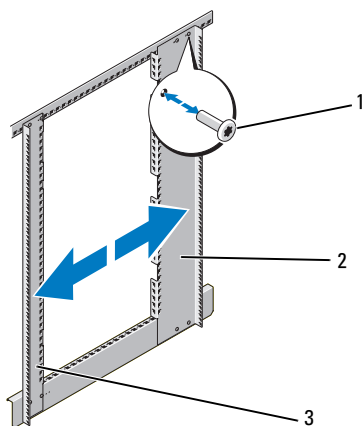
- 4 付属のボルト、ワッシャー、およびケージナットを使用して、各スタビライザをラックに固定します（図 1-12 を参照）。

ラックポストの調整（オプション）

奥行きの異なるシステムを取り付けることができるように、ラックポストの位置は調整が可能です。

- 1 ラックの扉を開きます。
- 2 ポストの上下からネジを外します（図 1-13 を参照）。
- 3 ポストをラック側面の内側の適切な位置に移動し、対応する穴にネジを取り付けます。

図 1-13 ラックポストの調整



- 1 ネジ
2 背面ラックポスト
3 前面ラックポスト

メモ：これでシステムをラックに取り付けることができます。ラックに製品を取り付けるときは、ラック取り付け用レールの前部と後部にある白い番号付きのラベルを使用してください。

ケーブルの配線

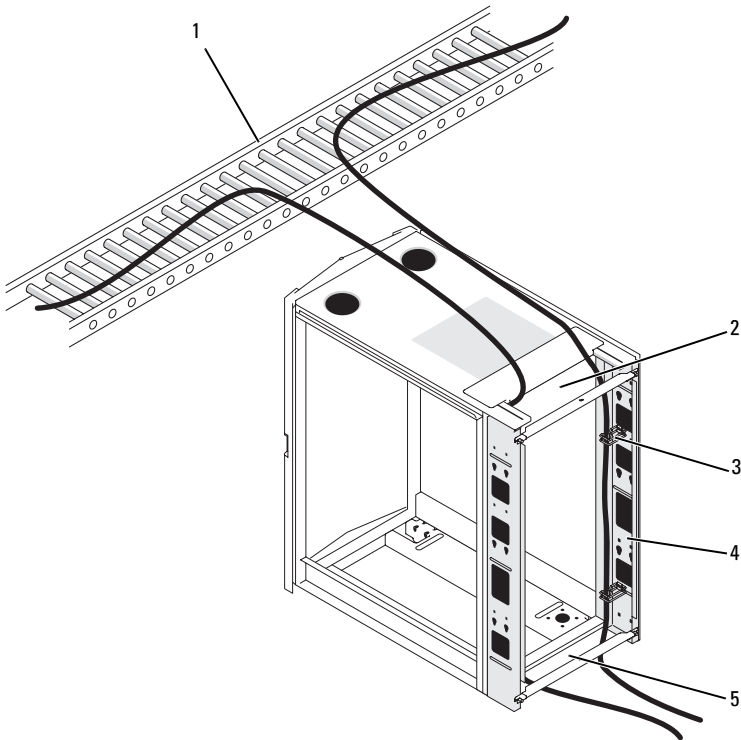
24U ラックには、ケーブルの配線を容易にするいくつかの機能があります（図 1-14 を参照）。

- 各ラックのフランジにある配電装置（PDU）の 4 つのチャンネルにより、電源ケーブルをラックに取り付けたシステムまで配線することができます。
- PDU チャンネルにケーブルクリップを取り付けてケーブルをまとめ、コードの絡みを防ぐことができます。

標準構成では、ケーブルは次の 2 つの方法でラックから引き出すことができます。

- 背面扉底部のケーブル出口から（図 1-14 を参照）
- ラック上部の調節可能なケーブルスロットからケーブル配線路へ（図 1-14 を参照）

図 1-14 ケーブル配線のオプション



- | | | | |
|---|-----------|---|-------------------|
| 1 | ケーブル配線路 | 2 | 上部ケーブルスロット |
| 3 | ケーブルクリップ | 4 | PDU チャンネル (左右に各2) |
| 5 | 底部のケーブル出口 | | |

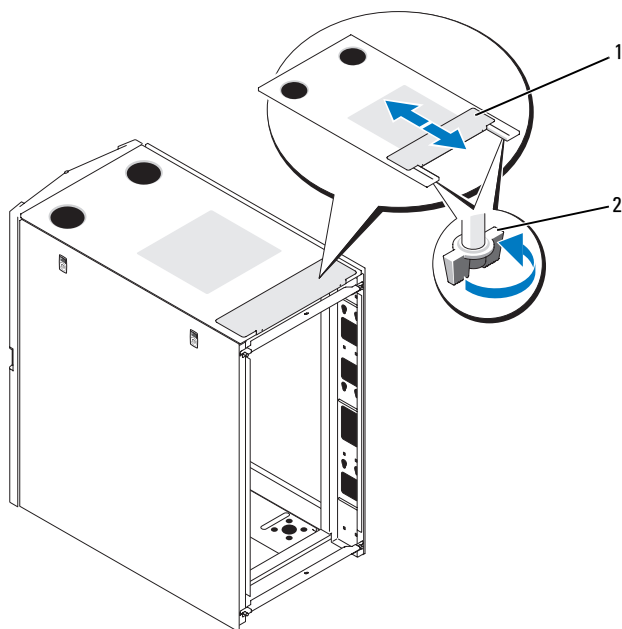
上部ケーブルスロットの開閉

ラックの上部ケーブルスロットは、ケーブル配線路までケーブルを配線するために使用します。

- 1 背面扉を開きます。
- 2 ケーブルスロットカバーの下にある蝶ナットを緩めます (図 1-15 を参照)。
- 3 ケーブルスロットカバーをラックの前面方向に引いて開きます。

- 4 ケーブルをラック上部に配線したら、スロットカバーをラックの背面方向に引いて、ケーブルスロットの隙間を閉じます。蝶ナットを使用してカバーを固定します。

図 1-15 ケーブルスロットの開閉



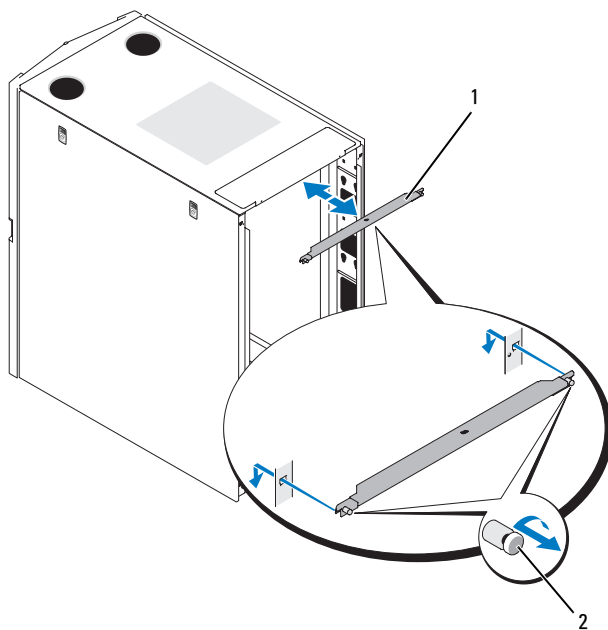
- 1 ケーブルスロットカバー 2 蝶ナット (2)

背面扉のスタビライザーの取り外しと取り付け

ラックの上から下までの配線作業を容易にするために、背面扉の安定のために取り付けられている上下のバーを取り外すことができます。

- 1 背面扉を開きます。
- 2 バーの両側にある各プランジャを引いた状態で、バーを引き上げてラックから取り外します（図 1-16 を参照）。
- 3 ケーブルを配線したら、バーを取り付けます。バーのタブをラックの対応する穴に合わせ、プランジャが所定の位置に固定されるまで、挿入して押し下げてください。

図 1-16 背面扉のスタビライザバーの取り外しと取り付け



1 背面扉のスタビライザバー (2)

2 ブランジャ (各バーに2)

索引

あ

安全にお使いいただくために, 93

け

ケーブル

配線, 110

ケーブルの配線, 110

こ

工具と備品, 95

さ

サイドパネル

取り外し, 99

す

水平調節用の脚, 106

せ

前面扉

取り外し, 96-97

反転, 100

と

扉

取り外し, 96

は

背面扉

開放, 97

取り外し, 98

ら

ラックスタビライザ, 95, 107

Dell™ PowerEdge™ 2420

Guía de instalación



Notas, precauciones y advertencias



NOTA: Una NOTA proporciona información importante que le ayudará a utilizar mejor el ordenador.



PRECAUCIÓN: Un mensaje de PRECAUCIÓN indica la posibilidad de daños en el hardware o la pérdida de datos si no se siguen las instrucciones.



ADVERTENCIA: Una ADVERTENCIA indica el riesgo de daños materiales, lesiones o incluso la muerte.

La información contenida en este documento puede modificarse sin previo aviso.

© 2008 Dell Inc. Todos los derechos reservados.

Queda estrictamente prohibida la reproducción de este material en cualquier forma sin la autorización por escrito de Dell Inc.

Dell, el logotipo de *DELL* y *PowerEdge* son marcas comerciales de Dell Inc.

Otras marcas y otros nombres comerciales pueden utilizarse en este documento para hacer referencia a las entidades que los poseen o a sus productos. Dell Inc. renuncia a cualquier interés sobre la propiedad de marcas y nombres comerciales que no sean los suyos.

Contenido

Instrucciones de seguridad	121
SEGURIDAD: Montaje de sistemas en rack	121
Instrucciones de instalación	122
Requisitos del rack	122
Instalación del rack	122
Antes de comenzar	122
Tareas de instalación	123
Herramientas y material recomendados	124
Extracción y colocación de las puertas del rack	124
Extracción y colocación de los paneles laterales	128
Inversión de la puerta frontal (opcional)	129
Fijación de los pies niveladores del rack	135
Instalación de los pies estabilizadores del rack	137
Ajuste de los postes del rack (opcional)	139
Colocación de los cables	140
Índice	145

Instrucciones de seguridad

Aplique las pautas de seguridad que se describen a continuación para garantizar su propia seguridad y proteger el sistema y el entorno de trabajo frente a posibles daños. Para obtener información completa sobre seguridad y normativas, consulte las instrucciones de seguridad que se entregan con el sistema. La información sobre la garantía puede estar incluida en este documento o constar en un documento aparte.

SEGURIDAD: Montaje de sistemas en rack

Tenga en cuenta las precauciones siguientes para garantizar la estabilidad y la seguridad del rack. Consulte también la documentación de instalación del rack incluida con el sistema y el rack para ver los procedimientos y la información de precaución.

Los sistemas se consideran componentes de un rack. “Componente” se refiere a cualquier sistema, así como a los distintos periféricos o hardware compatible.

PRECAUCIÓN: Instrucciones para sistemas montados en rack:

- El kit de rack se ha aprobado sólo para el armario rack suministrado. Es su responsabilidad asegurarse de que la instalación del equipo en cualquier otro rack cumpla los estándares correspondientes. Dell declina toda responsabilidad y garantía relacionadas con las combinaciones del equipo con cualquier otro rack.
- Antes de instalar el equipo en un rack, instale todos los estabilizadores frontales y laterales. Si no lo hace, el rack podría volcar.
- Cargue siempre el rack desde la parte inferior hacia arriba, colocando en primer lugar los elementos más pesados.
- No sobrecargue el circuito de la fuente de alimentación de CA que suministra energía al rack.
- No suba sobre ningún componente del rack ni lo utilice como escalón.

Instrucciones de instalación

En esta guía de instalación se proporcionan instrucciones para técnicos de servicio especializados que instalen un rack de 24 unidades (U). Se proporciona información sobre el ensamblaje del rack y la colocación de los cables a través del rack. El rack de 24 U se puede instalar mediante las herramientas recomendadas.






Requisitos del rack

 **PRECAUCIÓN:** El rack de 24 U cumple las especificaciones siguientes: ANSI/EIA-310-D-92, CEA-310-E, IEC 297 y DIN 41494.

Instalación del rack

Antes de proceder a la instalación, debe leer atentamente todo este procedimiento.

Antes de comenzar

-  **ADVERTENCIA:** Antes de empezar a instalar el rack, lea detenidamente “Información de seguridad importante”, así como las instrucciones de seguridad que se entregan con el rack.
-  **ADVERTENCIA:** Cuando instale varios sistemas en un rack, realice todos los procedimientos para el sistema actual antes de instalar el sistema siguiente.
-  **ADVERTENCIA:** Los armarios rack pueden ser muy pesados, pero se mueven con facilidad gracias a las ruedas. El armario no tiene frenos. Tenga mucho cuidado al mover el armario rack. Cuando traslade el armario rack, pliegue primero los pies niveladores. Evite inclinaciones largas o pronunciadas, superficies irregulares o rampas para evitar perder el control del armario. Extienda los pies niveladores como apoyo y para evitar que el armario se desplace.
-  **ADVERTENCIA:** Evite desplazar el armario rack sobre superficies irregulares. Las ruedas podrían romperse si reciben golpes fuertes, por lo que el rack quedaría inestable y podría volcar.
-  **ADVERTENCIA:** No intente mover el rack con los componentes instalados. Si mueve un rack cargado por completo sobre un suelo cuya superficie es ligeramente irregular, es posible que el rack quede inestable y vuelque.

Información de seguridad importante

Cuando instale el sistema en el rack, tenga en cuenta las precauciones de seguridad que se indican en los apartados siguientes.

⚠ ADVERTENCIA: Debe seguir estrictamente los procedimientos que se explican en este documento para protegerse a sí mismo y a otras personas que puedan verse involucradas. El sistema puede tener un tamaño y un peso considerables, por lo que la preparación y la planificación adecuadas son importantes para evitar lesiones personales a uno mismo y a terceros. Esta precaución es aún más importante cuando los sistemas se montan en la parte superior del rack.

⚠ ADVERTENCIA: Para garantizar la estabilidad, es necesario instalar un mínimo de 23 kg en los espacios 3 U inferiores del armario rack.

Pies estabilizadores del rack

⚠ ADVERTENCIA: El montaje de sistemas en un rack sin instalar los pies estabilizadores frontales y laterales puede hacer que vuelque el rack, lo que puede provocar lesiones personales. Por lo tanto, instale siempre los pies estabilizadores antes de instalar los componentes en el rack.

⚠ ADVERTENCIA: Una vez que haya instalado sistemas en un rack, no extraiga nunca del rack más de un sistema a la vez por sus ensamblajes deslizantes. El peso de más de un sistema extendido puede hacer que vuelque el rack y causar lesiones.

Los pies estabilizadores impiden que el rack vuelque cuando se extrae un sistema u otro componente del rack con los ensamblajes deslizantes completamente extendidos.

Tareas de instalación

La instalación de un armario rack implica realizar las tareas siguientes:

- 1 Extracción y colocación de las puertas del rack
- 2 Extracción y colocación de los paneles laterales
- 3 Inversión de la puerta frontal y la placa de identificación (opcional)
- 4 Fijación de los pies niveladores
- 5 Instalación de los pies estabilizadores
- 6 Ajuste de los postes del rack (opcional)
- 7 Colocación de los cables a través del rack

Herramientas y material recomendados

Necesitará el material y las herramientas siguientes para instalar el rack:

- Destornillador Phillips del n.º 2
- Destornillador de cabeza plana
- Llave de 12 mm
- Alicates de punta fina
- Llave Allen de 4 mm (si desea invertir la dirección en la que se abre la puerta frontal)
- Llaves para las puertas y los paneles laterales del rack (se incluyen en el kit de rack)
- Llave de 13 mm (para extraer el rack del palé)
- Llave de 17 mm (para extraer el rack del palé)

Extracción y colocación de las puertas del rack



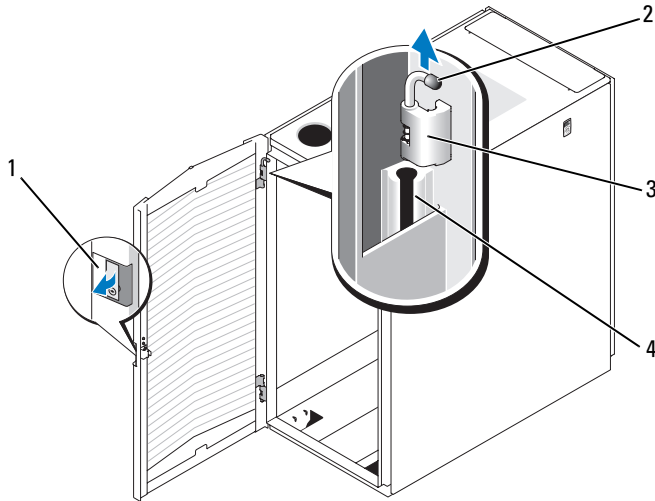
ADVERTENCIA: Al guardar las puertas, colóquelas en posición horizontal de modo que no puedan caerse y lesionar a alguien accidentalmente.

Extracción de la puerta frontal

- 1 Tire del pestillo de la puerta y abra completamente la puerta frontal (vea la ilustración I-1).
- 2 Mientras sujeta la puerta, tire hacia arriba del pasador superior hasta que salga del herraje fijo de la bisagra (vea la ilustración I-1).

El gancho de retención del pasador evita que la bisagra se extraiga del herraje móvil.

Ilustración 1-1. Extracción de la puerta frontal



- | | | | |
|---|-----------------------|---|--------------|
| 1 | Pestillo de la puerta | 2 | Pasador |
| 3 | Herraje móvil | 4 | Herraje fijo |

- 3 Mientras mantiene el pasador fuera del herraje fijo de la puerta, separe ligeramente la puerta del rack para que salga del herraje móvil.
- 4 Libere el pasador.
- 5 Levante la puerta para que salga del poste del perno inferior.



ADVERTENCIA: Debido al tamaño y al peso de la puerta, se recomienda colocar la puerta que ha extraído en posición horizontal con la superficie exterior boca arriba.

- 6 Coloque la puerta en un lugar seguro con la superficie exterior boca arriba. Al colocar la puerta en posición horizontal con la superficie exterior boca arriba, se evitará que se produzcan daños en la placa de identificación y en el revestimiento decorativo de la puerta.

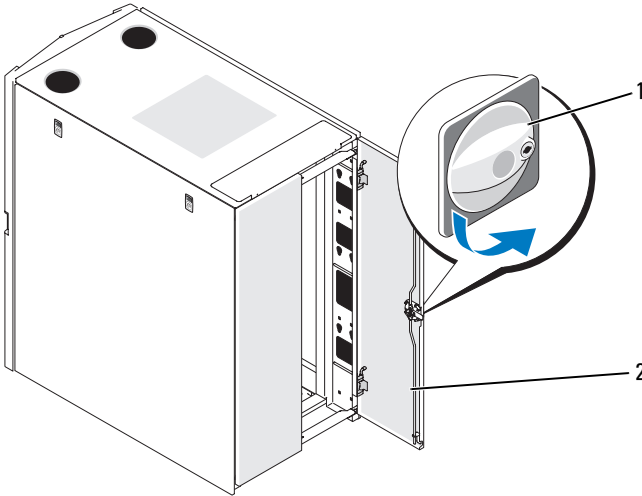
Colocación de la puerta frontal

Para volver a colocar la puerta frontal, realice los mismos pasos que para extraerla pero en el orden inverso.

Apertura y extracción de las puertas posteriores

- 1 Gire el asa de la puerta y abra las puertas posteriores (vea la ilustración 1-2).

Ilustración 1-2. Apertura de las puertas posteriores



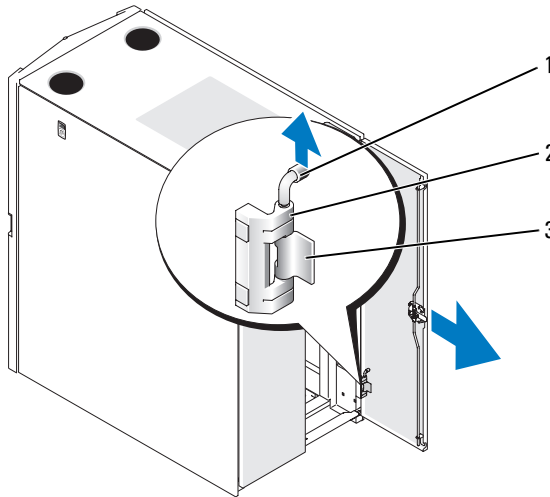
1 Asa de la puerta

2 Puerta posterior (2)

2 Extraiga la puerta derecha.

- a Mientras sujeta la puerta, tire del pasador de la bisagra superior para extraerlo del herraje fijo de la puerta (vea la ilustración 1-3).
Oirá un chasquido al extraer el pasador del herraje fijo de la puerta. Los pasadores se han diseñado para evitar que se extraigan del herraje móvil.
- b Repita el paso a para la bisagra inferior.
- c Tire de la puerta para extraerla del rack.

Ilustración 1-3. Extracción de las puertas posteriores



- 1 Pasador
- 2 Herraje móvil
- 3 Herraje fijo

! **ADVERTENCIA:** Debido al tamaño y al peso de la puerta, se recomienda colocar la puerta que ha extraído en posición horizontal con la superficie exterior boca arriba.

d Coloque la puerta en un lugar seguro con la superficie exterior boca arriba.

Al colocar la puerta en posición horizontal con la superficie exterior boca arriba, se evitará que se produzcan daños en el revestimiento decorativo de la puerta.

e Repita del paso a al paso d para la puerta izquierda.

Colocación de las puertas posteriores

Para volver a colocar las puertas posteriores, realice los mismos pasos que para extraerlas pero en el orden inverso.

Extracción y colocación de los paneles laterales



PRECAUCIÓN: Es necesario reinstalar los paneles laterales antes de utilizar sistemas en el rack para garantizar una refrigeración correcta.



NOTA: Debe extraer los paneles laterales para instalar los pies estabilizadores laterales.



NOTA: Si bien no es obligatorio extraer los paneles laterales para instalar sistemas en un rack, el hecho de que los laterales estén abiertos facilita la instalación de ensamblajes deslizantes y rieles de soporte, así como la inversión de la dirección en la que se abre la puerta frontal.

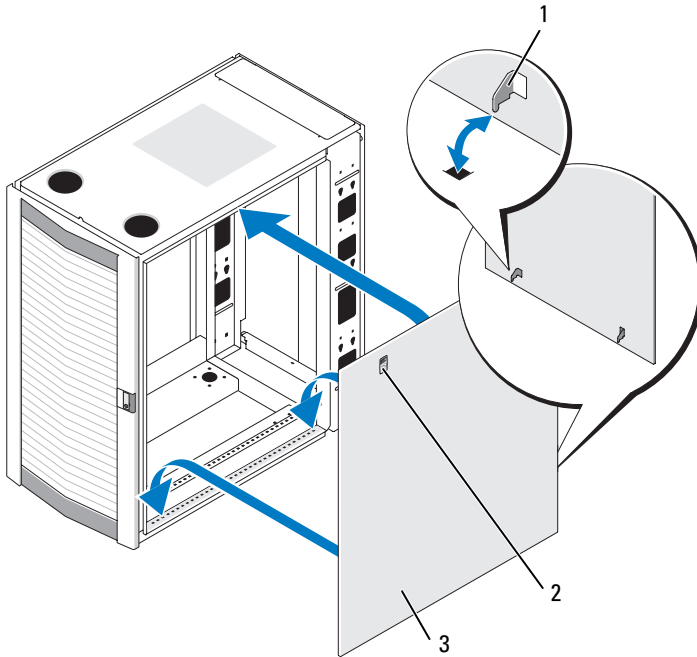
Extracción de los paneles laterales

- 1 Tire de los dos pestillos hacia abajo y deje que el panel lateral se separe ligeramente por la parte superior (vea la ilustración 1-4).
- 2 Sujete firmemente los laterales del panel.
- 3 Levante el panel hasta que los ganchos salgan de los orificios situados en la parte inferior del armazón del rack.
- 4 Coloque el panel en un lugar seguro con la superficie exterior boca arriba para evitar que se produzcan daños en el revestimiento decorativo.
- 5 Repita del paso 1 al paso 4 con el otro panel lateral.

Colocación de los paneles laterales


- 1 Coloque el panel en el rack; para ello, inserte el gancho del panel posterior en el orificio posterior de la parte inferior del armazón del rack y el gancho frontal en el orificio correspondiente de la parte frontal del armazón del rack (vea la ilustración 1-4).
- 2 Mueva el extremo superior del panel hacia el rack.
- 3 Presione el panel en el rack hasta que los dos pestillos encajen en su lugar.

Ilustración 1-4. Colocación de los paneles laterales



- 1 Gancho del panel (2) 2 Pestillo (2)
3 Panel lateral (2)

Inversión de la puerta frontal (opcional)

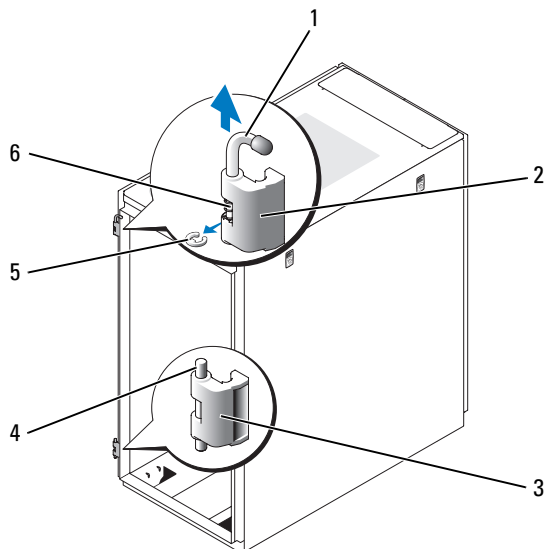
 **NOTA:** Utilice una llave Allen de 4 mm para extraer del rack los herrajes móviles de la puerta frontal y para volver a instalarlos en el lado opuesto a como estaban originalmente.

Para invertir la dirección en la que se abre la puerta frontal, realice los pasos siguientes:

- 1 Extraiga la puerta frontal (consulte “Extracción de la puerta frontal” en la página 124).
- 2 Extraiga los paneles laterales (consulte “Extracción y colocación de los paneles laterales” en la página 128).

- 3** Invierta el herraje móvil superior.
- a** Tire del pasador ligeramente hacia arriba para que pueda acceder al gancho de retención (vea la ilustración 1-5).

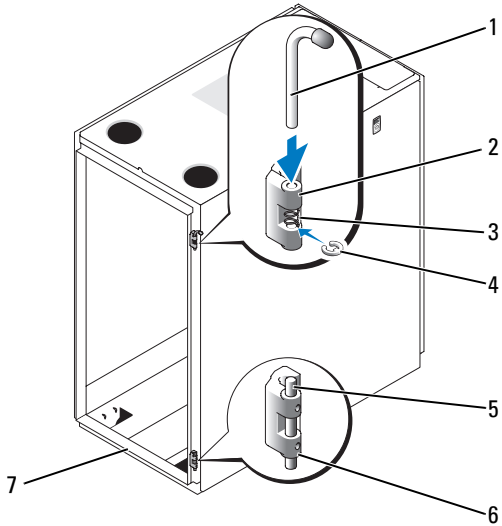
Ilustración 1-5. Extracción de las bisagras de la puerta frontal



1	Pernio	2	Herraje móvil superior
3	Bisagra inferior	4	Pasador
5	Gancho de retención	6	Muelle del herraje

- b** Con los alicates de punta fina, extraiga el gancho de retención y, a continuación, deslice el pasador para extraerlo del herraje móvil.
- c** Extraiga el muelle de la bisagra del herraje móvil.
- d** Coloque el pasador, el gancho de retención y el muelle en un lugar seguro.
- e** Con la llave Allen de 4 mm, extraiga los pernos Allen que fijan el herraje móvil al rack y colóquelos en el mismo lugar que el pasador, el gancho de retención y el muelle del herraje.
- f** Gire el herraje móvil 180 grados para que los orificios del pasador queden en el lado derecho del herraje móvil (vea la ilustración 1-6).

Ilustración 1-6. Inversión de las bisagras superiores e inferiores

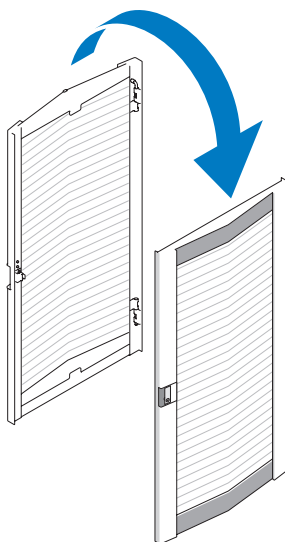


- | | | | |
|---|------------------------|---|------------------------|
| 1 | Pasador | 2 | Herraje móvil superior |
| 3 | Muelle | 4 | Gancho de retención |
| 5 | Pernio | 6 | Herraje móvil inferior |
| 7 | Parte frontal del rack | | |

- g** Localice los orificios de los pernos superiores situados en el lateral derecho del rack y apriete el herraje móvil en el lateral derecho del rack con los pernos Allen.
- h** Inserte el muelle entre los orificios del pasador superior e inferior situados en el herraje móvil inferior.
- i** Deslice el pasador para insertarlo en el herraje móvil.
- j** Inserte el gancho de retención en la bisagra de modo que el gancho quede debajo del muelle.

- 4** Invierta el herraje móvil inferior.
 - a** Extraiga los pernos Allen que fijan el herraje móvil al rack y colóquelos en un lugar seguro.
 - b** Gire el herraje móvil 180 grados para que los pernios queden en el lado derecho del herraje móvil (vea la ilustración 1-6).
 - c** Localice los orificios de los pernos inferiores situados en el lateral derecho del rack y utilice los pernos Allen para apretar el herraje móvil en el lateral derecho del rack.
- 5** Gire la puerta frontal 180 grados para que los herrajes fijos queden en el lado derecho (vea la ilustración 1-7).

Ilustración 1-7. Giro de la puerta frontal

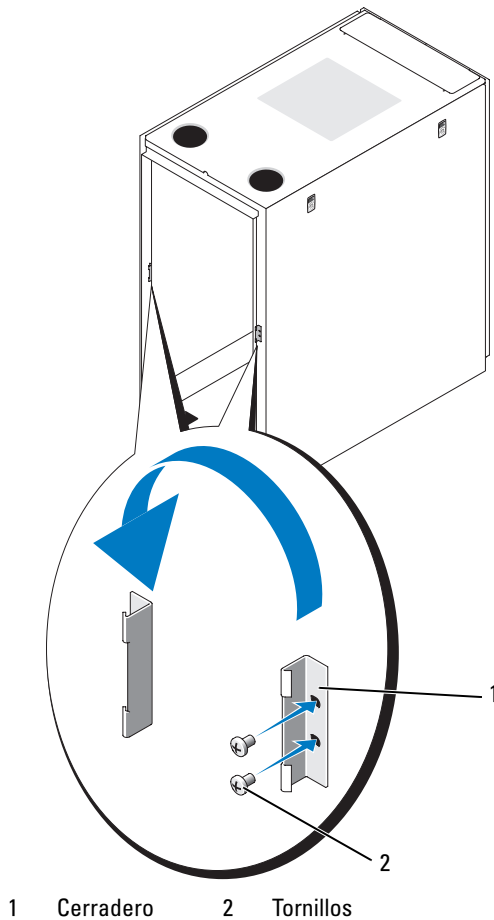


- 6** Vuelva a colocar la puerta frontal realizando los pasos descritos en “Extracción de la puerta frontal” en la página 124 en el orden inverso.

7 Invierta el cerradero.

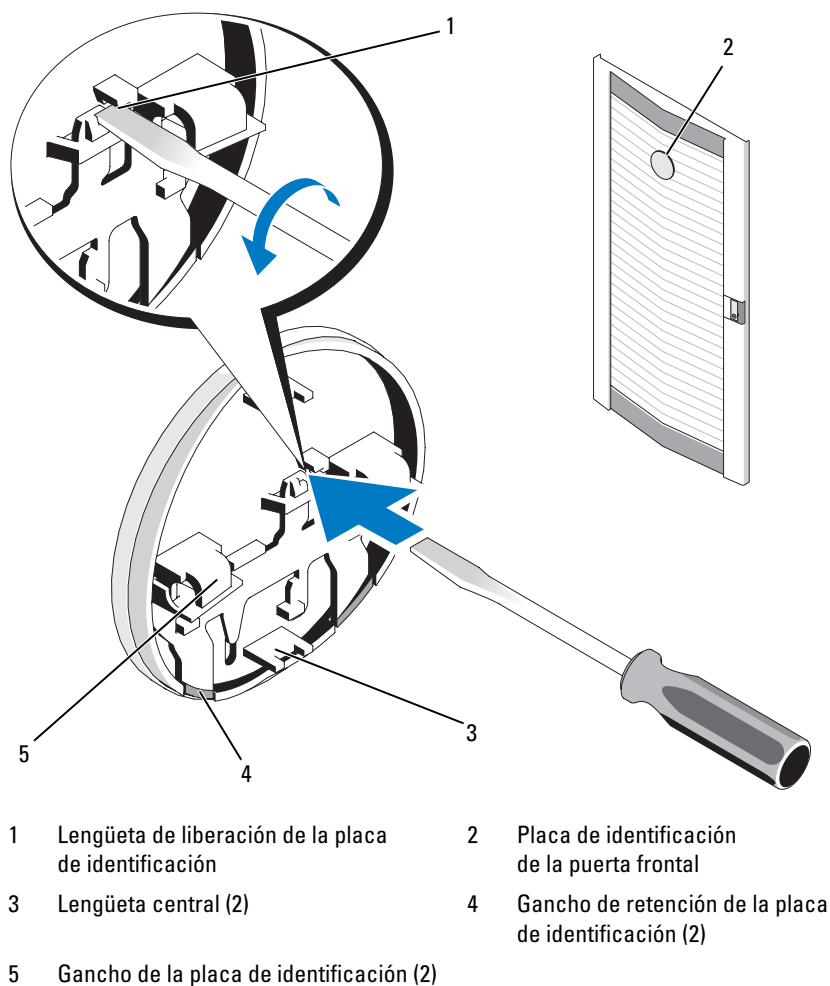
- a** Desenrosque los dos tornillos Phillips que fijan el cerradero a la jamba del rack.
- b** Extraiga el cerradero y gírelo 180 grados.
- c** Vuelva a instalar el cerradero en la otra jamba frontal del rack; para ello, alinee los orificios del cerradero con los orificios de la jamba y, a continuación, vuelva a insertar los dos tornillos Phillips.

Ilustración 1-8. Inversión del cerradero de la puerta frontal



- 8** Invierta la placa de identificación de la puerta frontal.
 - a** Abra la puerta frontal.
 - b** Desde el interior de la puerta, inserte un destornillador de cabeza plana en la lengüeta de liberación de la placa de identificación (vea la ilustración 1-9).

Ilustración 1-9. Inversión de la placa de identificación de la puerta frontal





- c Inserte el destornillador en la lengüeta hasta que se detenga y gírelo en el sentido contrario a las agujas del reloj.
- d Levante la placa de identificación y extraígalas de la puerta.
- e Gire la placa de identificación 180 grados para que se lea correctamente cuando esté instalada.
- f Localice la cuarta barra horizontal de la parte superior de la puerta y deslice los ganchos de la placa de identificación sobre ella; para ello, alinee las lengüetas centrales de la placa de identificación con la barra vertical de la puerta.
- g Levante los ganchos de retención de la placa de identificación hasta que queden cerrados y la placa esté fijada.


Fijación de los pies niveladores del rack

 **ADVERTENCIA:** Antes de ajustar los pies niveladores, lea todas las instrucciones que figuran a continuación.

El rack incluye cuatro pies niveladores, que se montan en las esquinas del rack. Los pies niveladores se han diseñado para alinear el rack en posición vertical y nivelada cuando el rack está situado en un suelo cuya superficie es ligeramente irregular. Antes de instalar los sistemas en el rack, instale y ajuste los pies niveladores. Cuando nivele el rack, siga estas pautas.

 **ADVERTENCIA:** Cuando ajuste los pies niveladores, asegúrese de que la distancia entre el suelo y las ruedas de cada esquina del rack no sea superior a 9,5 mm. Si deja más de 9,5 mm de espacio libre entre el suelo y las ruedas cuando ajuste los pies niveladores, contraiga *lentamente* los pies niveladores y, a continuación, traslade el rack a otro lugar que requiera ajustes mínimos en los pies niveladores.

 **ADVERTENCIA:** Ajuste los pies niveladores hasta que cada pie quede apoyado firmemente sobre el suelo. El contacto correcto con el suelo garantiza que cada pie nivelador aguante el peso del rack y evita que el rack se balancee en cualquier dirección. Si los pies niveladores no tienen un contacto firme con el suelo, el rack puede quedar inestable y volcar.

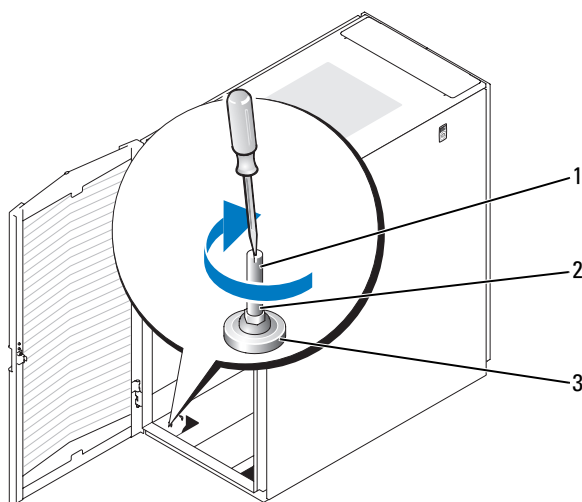
 **ADVERTENCIA:** No intente trasladar el rack con los pies niveladores instalados. Antes de trasladar el rack, contraiga siempre los pies niveladores. Si los pies niveladores están instalados cuando traslada el rack, es posible que éste vuelque.

⚠ ADVERTENCIA: Antes de instalar los sistemas, nivele siempre el rack e instale los pies estabilizadores. Es posible que un rack cargado por completo vuelque si se encuentra en un suelo cuya superficie es irregular y los pies niveladores y estabilizadores no aguantan el peso del rack.

🔧 NOTA: Si el rack no está nivelado correctamente, es posible que no pueda instalar los pies estabilizadores, que son necesarios para evitar que el rack vuelque.

- 1 Con un destornillador, baje el pie nivelador hasta que quede apoyado en el suelo.
- 2 Si necesita bajar más el pie, apriete la tuerca hexagonal en el sentido de las agujas del reloj con una llave de 12 mm (vea la ilustración 1-10).

Ilustración 1-10. Ajuste de los pies niveladores



- | | | | |
|---|-------------------------------|---|--------------------|
| 1 | Vástago del pie estabilizador | 2 | Tuerca hexadecimal |
| 3 | Base | | |

- 3 Repita los pasos 1 y 2 con los pies niveladores restantes.
- 4 Asegúrese de que el rack está nivelado.

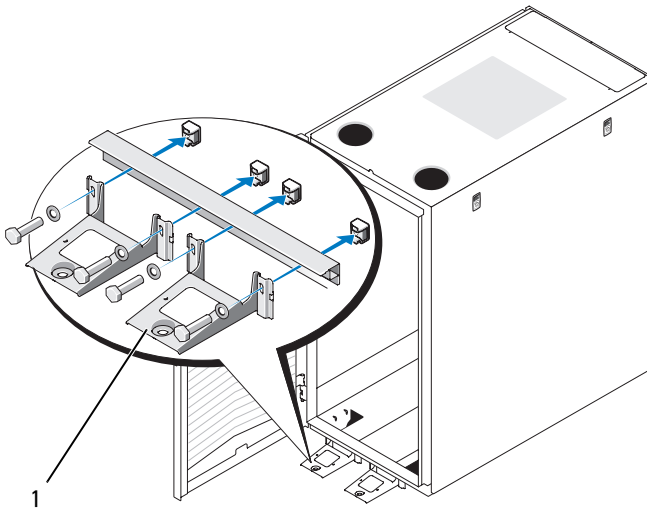
Instalación de los pies estabilizadores del rack

! **ADVERTENCIA:** El montaje de sistemas en un rack sin instalar los pies estabilizadores frontales y laterales puede hacer que vuelque el rack, lo que puede provocar lesiones personales. Por lo tanto, instale siempre los pies estabilizadores antes de instalar los componentes en el rack.

Instalación de los pies estabilizadores frontales

- 1 Abra la puerta frontal.
- 2 Tire firmemente de los estabilizadores para separarlos del armazón.
- 3 Extraiga los fijadores de plástico situados en los pies estabilizadores.
- 4 Coloque los pies estabilizadores frontales contra la base del armazón del rack y alinee los orificios con los orificios correspondientes del armazón.
- 5 Utilice los pernos, las arandelas y las tuercas prisioneras suministradas para fijar los pies al rack tal como se muestra en la ilustración 1-11.

Ilustración 1-11. Instalación de los pies estabilizadores frontales

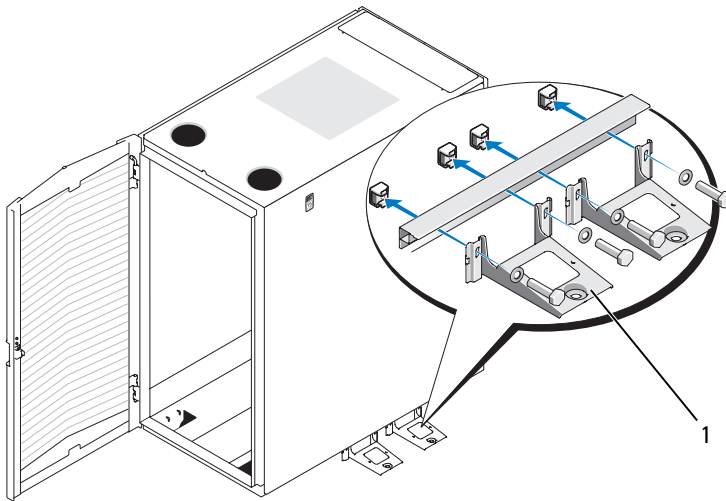


1 Pie estabilizador frontal (2)

Instalación de los pies estabilizadores laterales

- 1 Extraiga el panel lateral.
- 2 Localice los cuatro orificios en el lateral del riel inferior del armazón del rack (vea la ilustración 1-12).
- 3 Coloque los pies estabilizadores contra la base del armazón del rack y alinee los orificios con los orificios correspondientes del armazón.

Ilustración 1-12. Instalación de los pies estabilizadores laterales



1 Pie estabilizador lateral (2 por lado)

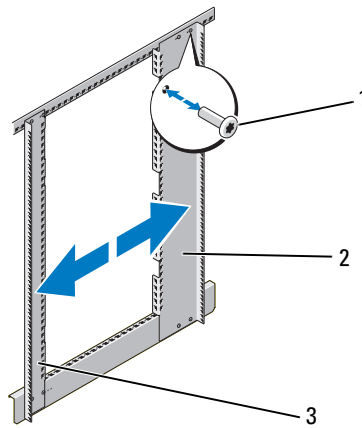
- 4 Utilice los pernos, las arandelas y las tuercas prisioneras suministradas para fijar los pies al rack tal como se muestra en la ilustración 1-12.

Ajuste de los postes del rack (opcional)

La posición de los postes del rack se puede ajustar para alojar sistemas con diversas profundidades.

- 1 Abra las puertas del rack.
- 2 Extraiga los tornillos de la parte inferior y superior del poste (vea la ilustración 1-13).
- 3 Mueva el poste a la ubicación que desea dentro del lateral del rack y vuelva a colocar los tornillos en los orificios correspondientes.

Ilustración 1-13. Ajuste de los postes del rack



- | | | | |
|---|------------------------|---|--------------------------|
| 1 | Tornillos | 2 | Poste posterior del rack |
| 3 | Poste frontal del rack | | |



NOTA: Ahora puede instalar los sistemas en el rack. Utilice las etiquetas blancas numeradas situadas en la parte frontal y posterior de los rieles de montaje del rack para instalar productos en el rack.

Colocación de los cables

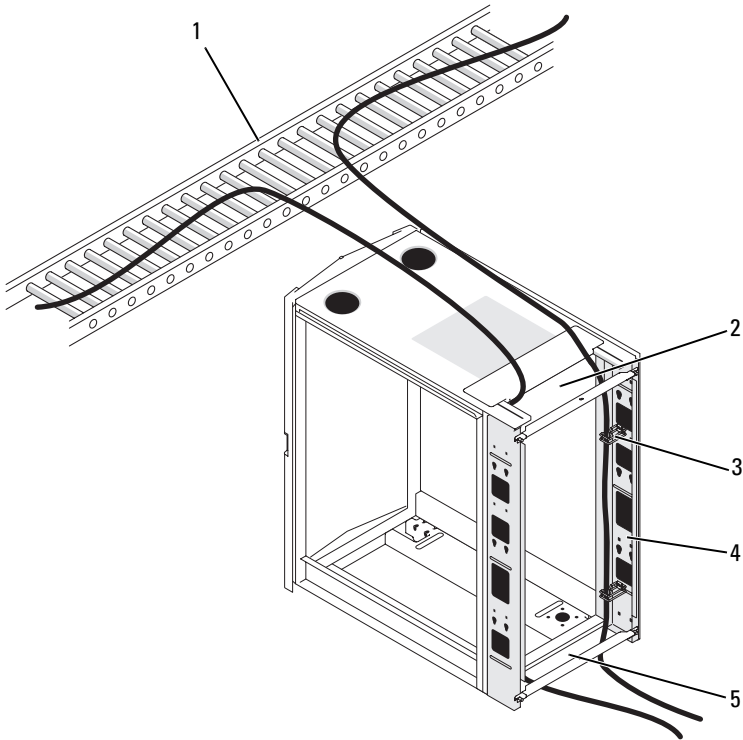
El rack de 24 U incorpora diversas características que simplifican la colocación de los cables (vea la ilustración 1-14).

- Existen cuatro canales de unidades de distribución de alimentación (PDU) en cada superficie del rack que permiten colocar los cables de alimentación en los sistemas montados en el rack.
- Los seguros para cables se pueden montar en los canales PDU para que los cables queden fuera del paso y para evitar que se enreden.

En una configuración estándar, puede sacar del rack los cables de dos modos:

- Mediante la salida de cables situada en la parte inferior de las puertas posteriores (vea la ilustración 1-14)
- Mediante la ranura ajustable para cables situada en la parte superior del rack y en una bandeja (vea la ilustración 1-14).

Ilustración 1-14. Opciones de colocación de los cables



- | | | | |
|---|---------------------------|---|-----------------------------|
| 1 | Bandeja | 2 | Ranura superior para cables |
| 3 | Seguros para cables | 4 | Canales PDU (2 por lateral) |
| 5 | Salida inferior de cables | | |

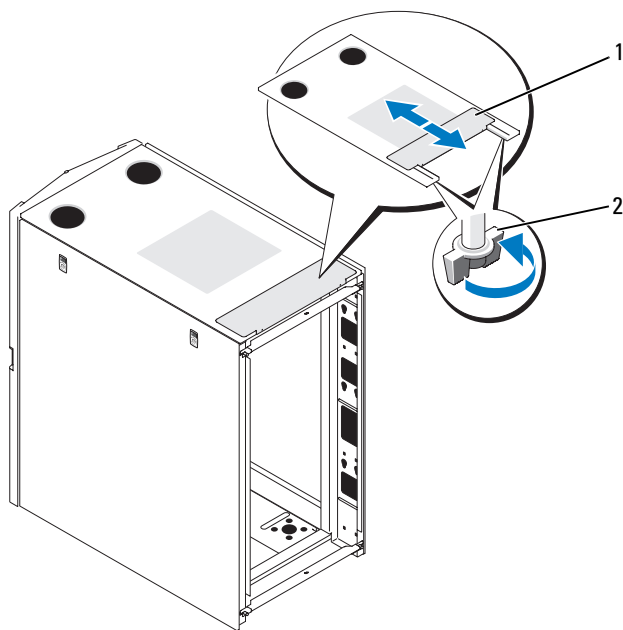
Apertura y cierre de la ranura superior para cables

La ranura superior para cables del rack se puede utilizar para colocar los cables hasta una bandeja.

- 1 Abra las puertas posteriores.
- 2 Afloje las palomillas que se encuentran debajo de la cubierta de la ranura para cables (vea la ilustración 1-15).

- 3 Deslice la cubierta de la ranura para cables en la posición abierta hacia la parte frontal del rack.
- 4 Tras pasar los cables por la parte superior del rack, cierre los huecos que queden en la ranura para cables; para ello, tire de la cubierta de la ranura hacia la parte posterior del rack. Utilice las palomillas para fijar la cubierta.

Ilustración 1-15. Apertura y cierre de la ranura para cables



1 Cubierta de la ranura para cables

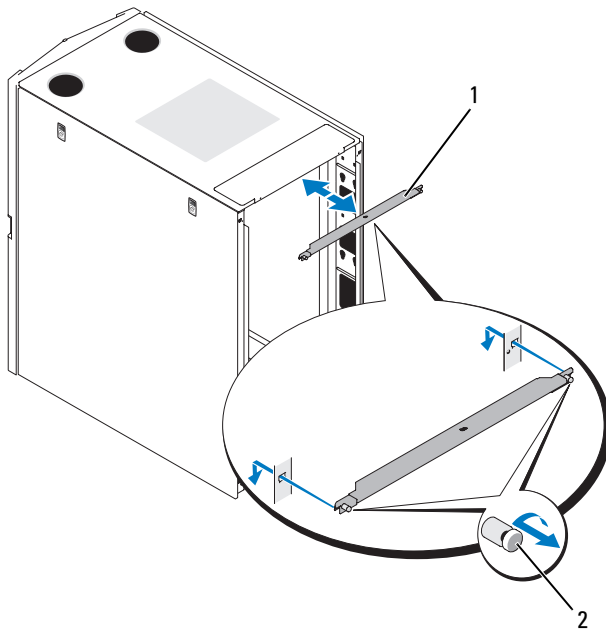
2 Palomillas (2)

Extracción e instalación de las barras estabilizadoras de las puertas posteriores

Es posible extraer las barras superiores e inferiores que se utilizan para estabilizar las puertas posteriores, lo que facilita la colocación de los cables en la parte superior e inferior del rack.

- 1 Abra las puertas posteriores.
- 2 Tire de los fiadores situados en cada lateral de la barra y manténgalos en esa posición y, a continuación, levante la barra y extráigala del rack (vea la ilustración 1-16).
- 3 Tras pasar los cables, vuelva a colocar las barras; para ello, alinee las lengüetas de las barras con los orificios correspondientes del rack y presione los fiadores hacia abajo hasta que queden asentados en su lugar.

Ilustración 1-16. Extracción e instalación de las barras estabilizadoras de las puertas posteriores



1 Barra estabilizadora de las puertas posteriores (2)

2 Fiadores (2 por barra)

Índice

C

- cables
 - colocar, 140
- colocar cables, 140

H

- herramientas y material, 124

I

- instrucciones de seguridad, 121

P

- paneles laterales
 - extraer, 128
- pies estabilizadores
 - del rack, 123, 137

- pies niveladores, 135

- puerta frontal
 - extraer, 124-125
 - invertir, 129

- puerta posterior
 - abrir, 126
 - extraer, 126

- puertas
 - extraer, 124

