

## **SECTION 8**

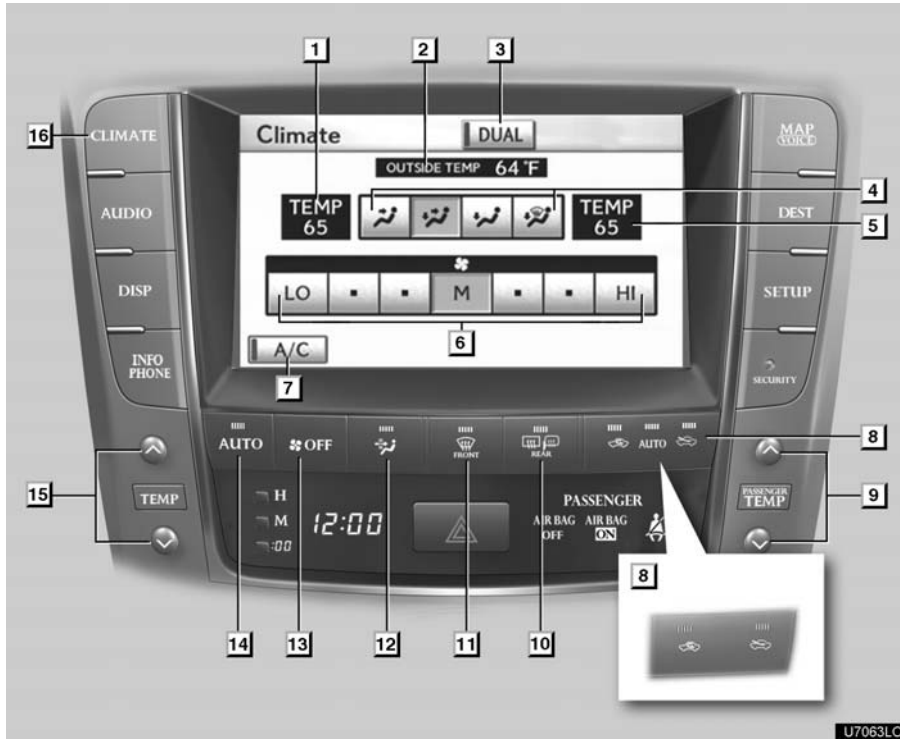
### **AIR CONDITIONING**

- [Automatic air conditioning controls](#)

272

**Automatic air conditioning controls**

Operations such as changing the air outlets or fan speed are carried out on the screen. To display the air conditioning control screen, push the “**CLIMATE**” button.



- |  |  |
|--|--|
| <p><b>1</b> Driver side temperature display<br/>(In degrees Fahrenheit or Centi-<br/>grade)</p> <p><b>2</b> Outside temperature display<br/>(In degrees Fahrenheit or Centi-<br/>grade) . . . . . 282</p> <p><b>3</b> “DUAL”<br/>(Temperature setting mode change<br/>button) . . . . . 274, 276</p> <p><b>4</b> Air flow control buttons . . . . 277</p> <p><b>5</b> Passenger side temperature dis-<br/>play<br/>(In degrees Fahrenheit or Centi-<br/>grade)</p> | <p><b>6</b> Fan speed control buttons<br/>. . . . . 276</p> <p><b>7</b> “A/C” . . . . . 279</p> <p><b>8</b> Air intake control button<br/>. . . . . 275, 278</p> <p><b>9</b> “PASSENGER TEMP” buttons<br/>(Passenger side temperature control<br/>button)<br/>(Only for the independent mode that<br/>display shows “DUAL”; mainly for<br/>front passenger and secondarily for<br/>driver) . . . . . 274, 276</p> <p><b>10</b> Rear window defogger button<br/>. . . . . 280</p> <p><b>11</b> Windshield air flow button<br/>. . . . . 278</p> |
|--|--|

- 12 **Micro dust and pollen filter button** ..... 281
- 13 **“OFF” button** ..... 274, 276
- 14 **“AUTO” button** ..... 274
- 15 **“TEMP” buttons**  
 (Driver side temperature control button) (At the independent mode that display shows “DUAL”; mainly for driver and secondarily for front passenger)  
 (At the linked mode that display does not show “DUAL”; for driver) ..... 274, 276
- 16 **“CLIMATE” button**  
 (Air conditioning operation screen display button) ..... 273

**(a) Climate control**

**Air outlets and fan speed are automatically adjusted according to the temperature setting.**

The “ENGINE START STOP” switch must be in IGNITION ON mode.



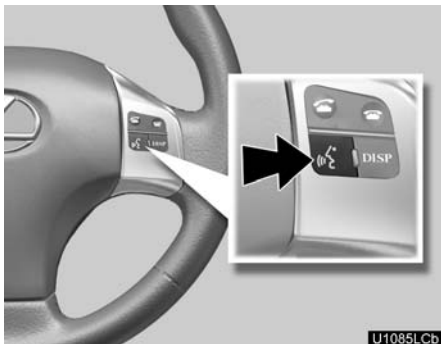
Push the “CLIMATE” button to display the air conditioning control screen.

**NOTICE**

*To prevent the battery from being discharged, do not leave the air conditioning on longer than necessary when the engine is not running.*

**INFORMATION**

- *During use, various odors from inside and outside the vehicle may enter into and accumulate in the air conditioning system. This may then cause odor to be emitted from the vents.*
- *To reduce potential odors from occurring:*
  - *It is recommended that the air conditioning system be set to outside air mode prior to turning the vehicle off.*
  - *The start timing of the blower may be delayed for a short period of time immediately after the air conditioning system is started in automatic operation mode.*

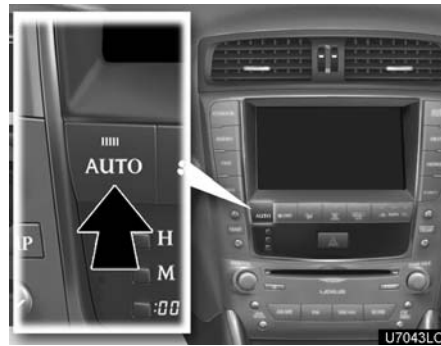


**By pushing the switch above, you can operate the voice command system.**

For the operation of the voice command system and the command, see pages 44 and 49.

**(b) Using automatic air conditioning system**

- **Switching to automatic operation mode**

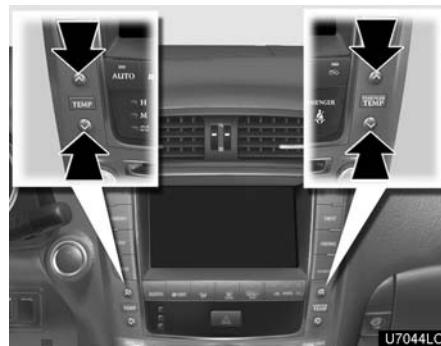


**Push the “AUTO” button.**

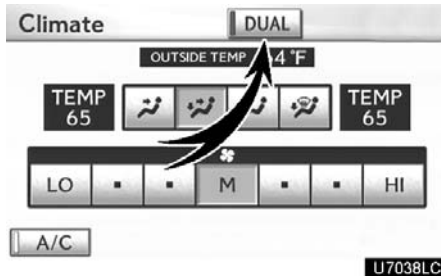
The air conditioning system begins to operate. Air outlets and fan speed are automatically adjusted according to the temperature setting.

Push “OFF” button to turn the air conditioning system off.

- **Setting the vehicle interior temperature**



**Push the “^” button on “TEMP” to increase the temperature and “v” to decrease the temperature.**



“DUAL” button is used to set the temperatures independently for the driver's seat and front passenger seat.

When the “DUAL” indicator is on, the temperature for the driver's seat and front passenger seat can be adjusted separately.

- **Switching the air intake control to automatic mode (IS F/IS 350)**



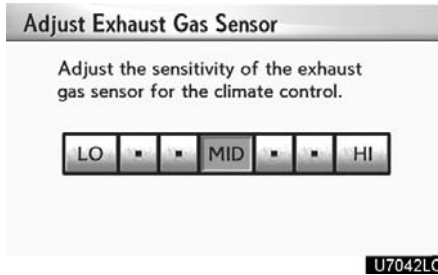
**Push the air intake control button to switch to automatic mode.**

The air conditioning system automatically switches between outside air and recirculated air modes.

- **Adjusting the sensitivity of the air intake control in automatic mode (IS F/IS 350)**



1. Push the air intake control button until the “Adjust Exhaust Gas Sensor” screen appears while the vehicle is stopped.



2. Touch the desired button on the screen.

The sensitivity of the button is set to be higher toward “HI” and lower toward “LO”.

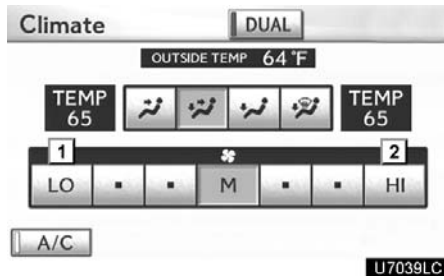
When you push the air intake control button, the above screen goes off.

## AIR CONDITIONING

---

### (c) Adjusting the settings manually

- Setting the fan speed



- 1 Fan speed at low
- 2 Fan speed at high

The fan speed can be set to your desired speed by touching the appropriate air flow control button.

Pushing the "OFF" button turns the fan off.

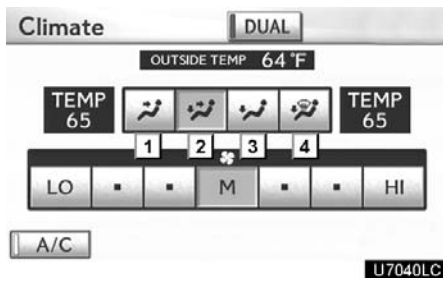
- Setting the vehicle interior temperature



**To adjust the temperature setting, push the "∧" button on "TEMP" to increase the temperature and push the "∨" button to decrease the temperature.**

When the "DUAL" indicator is on, the temperature for the driver's seat and front passenger seat can be adjusted separately.

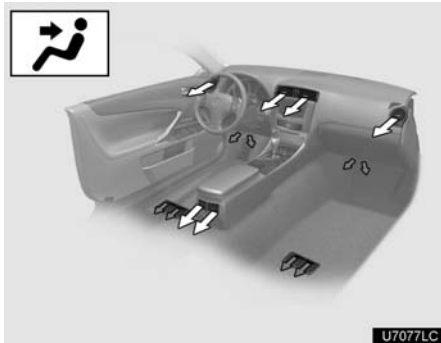
● Switching the air outlets



- 1 Panel
- 2 Bi-level
- 3 Floor
- 4 Floor/windshield

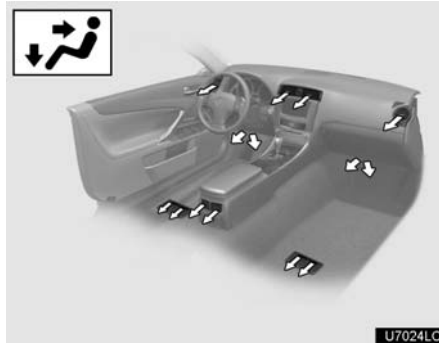
The outlets from which air is delivered can be selected manually by touching the touch-screen button.

The air flow shown on the display indicates the following.

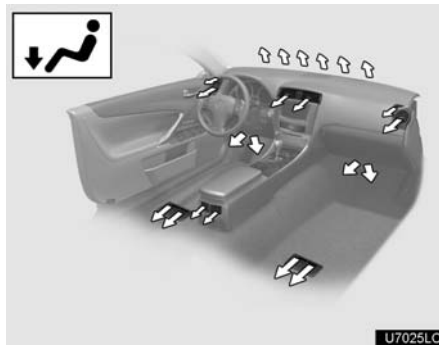


➡ Automatic air flow mode only

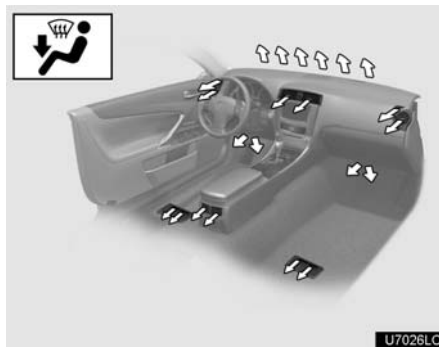
▶ Air flows to the upper body (Panel)



▶ Air flows to the upper body and feet (Bi-level)



▶ Air flows to the feet (Floor)



▶ Air flows to the feet and the windshield defogger operates (Floor/windshield)

## AIR CONDITIONING

- Switching between outside air and recirculated air modes



### ► IS 250

- 1 Recirculated air mode
- 2 Outside air mode



### ► IS F/IS 350

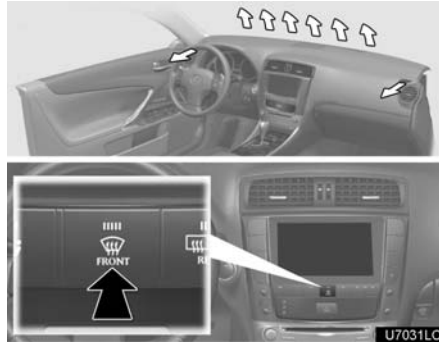
- 1 Recirculated air mode
- 2 Automatic mode
- 3 Outside air mode

#### Push the air intake control button.

The mode switches between recirculated air mode, automatic mode (IS F/IS 350) and outside air mode each time the button is pushed.

When the system is switched to automatic mode, the air conditioning system operates automatically.

- (d) Defogging the windshield



The air conditioning system operates automatically.

Recirculated air mode will automatically switch to outside air mode. It is not possible to return to recirculated air mode when the switch is on.

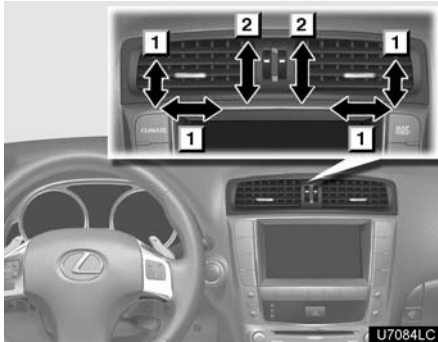
### ⚠ CAUTION

To prevent the windshield from fogging up

Do not use the windshield air flow button during cool air operation in extremely humid weather. The difference between the temperature of the outside air and that of the windshield can cause the outer surface of the windshield to fog up, blocking your vision.



(e) Adjusting the position of and opening and closing the air outlets



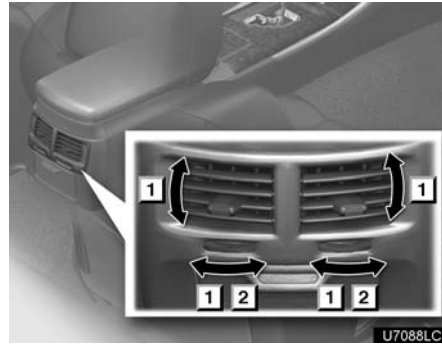
► Front center outlets

- 1 Direct air flow to the left or right, up or down
- 2 Turn the knob to open or close the vent



► Front side outlets

- 1 Direct air flow to the left or right, up or down
- 2 Turn the knob to open or close the vent



► Rear outlets

- 1 Direct air flow to the left or right, up or down
- 2 Turn the knob to open or close the vent

**INFORMATION**

- **Using automatic mode**  
*Fan speed is adjusted automatically according to the temperature setting and ambient conditions. As a result, the following may occur:*
  - *Immediately after the button is pushed, the fan may stop for a while until warm or cool air is ready to flow.*
  - *Cool air may flow to the area around the upper body when the heater is on.*
- **Using the system in recirculated air mode**  
*The windows will fog up more easily if recirculated air mode is used for an extended period.*

- **Switching between outside air and recirculated air modes**

*Recirculated air mode or outside air mode may be automatically switched to in accordance with the temperature setting and the inside temperature.*

- **Window defogger feature**

*Recirculated air mode may automatically switch to outside air mode in situations where the windows need to be defogged.*

- **When outside air temperature is below 32° F (0° C)**

*The cooling and dehumidification function may not operate even when "A/C" is on.*

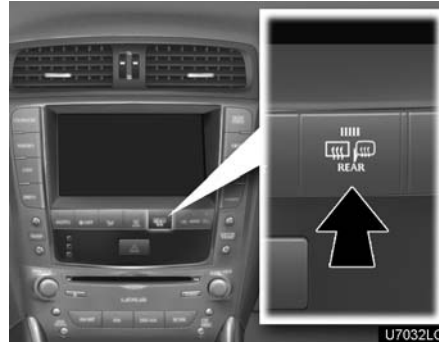
- **When the indicator light on "A/C" flashes**

*Touch "A/C" to turn off the air conditioning system and turn it on again. There may be a problem in the air conditioning system if the indicator light continues to flash. Turn the air conditioning system off and have it inspected by your Lexus dealer.*

- **Automatic air intake change mode (IS F/IS 350)**

*In automatic mode, the system automatically switches between recirculated air and outside air modes according to whether the system detects harmful substances such as exhaust gas in the air outside.*

(f) **Rear window and outside rear view mirror defogging**



To turn the electric rear window and outside rear view mirror defogger on, push the button above.

The "ENGINE START STOP" switch must be in IGNITION ON mode.

The thin heater wires on the inside of the rear window and the heater panels in the outside rear view mirrors will quickly clear the surface.

Keep your hands off the mirror faces when the system is on.

The indicator light is on when the defogger is operating.

**⚠ CAUTION**

When the outside rear view mirror defoggers are on, do not touch the outside surface of the rear view mirror as it can become very hot and cause burns.

The defoggers will automatically turn off after 15 to 60 minutes. The operation time changes according to the ambient temperature and vehicle speed.

If further defrosting or defogging is desired, simply actuate the switch again. When the surface has cleared, push the button once again to turn the defogger off. Continuous use may cause the battery to discharge, especially during stop-and-go driving. The defogger is not designed to dry rain water or to melt snow.

If the outside rear view mirrors are heavily coated with ice, use a spray de-icer before operating the system.

**(g) Micro dust and pollen filter**



**Push the micro dust and pollen filter button.**

Outside air mode switches to recirculated air mode. Pollen is removed from the air flows to the upper part of the body.

Usually the system will turn off automatically after approximately 1 to 3 minutes.

To stop the operation, push the micro dust and pollen filter button again.

**NOTICE**

- *When cleaning the inside of the rear window, be careful not to scratch or damage the heater wires or connectors.*
- *To prevent the battery from being discharged, turn the switch off when the engine is not running.*

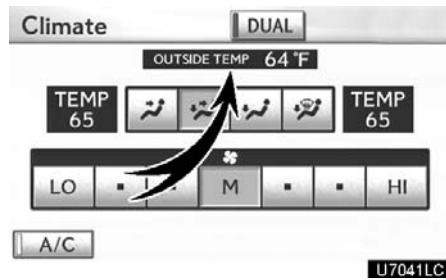
**INFORMATION**

- *In order to prevent the window from fogging up when the outside air is cold, the following may occur:*
  - *Outside air mode does not switch to recirculated air mode.*
  - *The air conditioning system operates automatically.*
  - *The operation cancels after 1 minute.*
- *In rainy weather, the windows may fog up. Push the windshield air flow button.*

## AIR CONDITIONING

---

### (h) Outside temperature display



#### **Outside temperature is displayed on the screen.**

The displayed temperature ranges from  $-40^{\circ}\text{F}$  ( $-40^{\circ}\text{C}$ ) up to  $122^{\circ}\text{F}$  ( $50^{\circ}\text{C}$ ).

If the temperature shows "--" or "E", take your vehicle to your Lexus dealer.

In the following situations, the correct outside temperature may not be displayed, or the display may take longer than normal to change.

- When stopped, or driving at low speeds (less than 15.5 mph [25 km/h])
- When the outside temperature has changed suddenly (at the entrance/exit of a garage, tunnel, etc.)