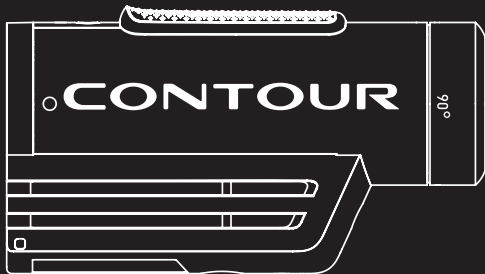


# CONTOUR**ROAM**

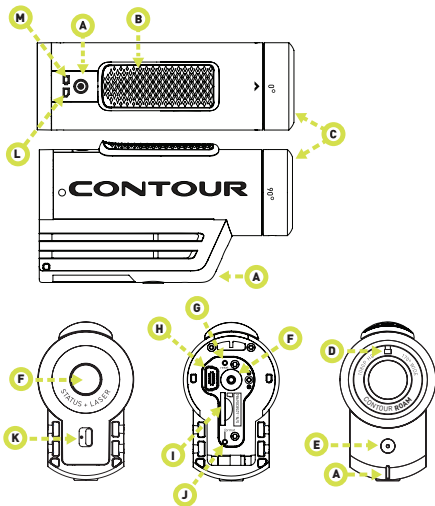
USER MANUAL



CONTOUR

## ABOUT THE CAMERA

- A** Record Status
- B** Record Switch
- C** Rotating Lens
- D** Laser Line
- E** Microphone
- F** Status Button
- G** Reset Button
- H** USB
- I** microSD Card Slot
- J** Card Format Button
- K** Door Lock
- L** Memory Status
- M** Battery Status



## + microSD CARD

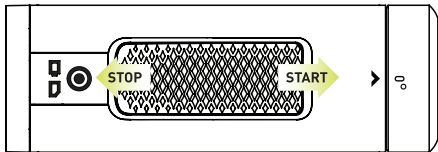
You will need to purchase a microSD storage card. The ContourROAM is compatible with:

- SDSC (standard capacity) microSD Cards up to a capacity of 2GB.
- SDHC (high capacity) class 4, 6, or 10 microSD Cards up to a maximum capacity of 32GB.

All microSD Cards must be formatted before use in the ContourROAM camera. Follow the directions below.

- 1.** Insert the microSD Card. To remove microSD Card, push card in to release.
- 2.** Using the end of a pen or paper clip, firmly depress the Format Button (See “J” on page 1) and hold it down until the LEDs are on.
- 3.** The Memory Status LED will show yellow throughout the format operation. This should take no longer than 10 seconds.
- 4.** When the formatting process is complete, the camera will beep twice. The Status LEDs will light and the Memory Status LED will be green, showing the microSD Card is ready.

**Note:** All existing data on microSD Card will be lost during the reformat process.



#### + **RECORD**

- + Start: Slide Record Switch forward. Camera powers on, beeps once, and Record Status LEDs turn red. Camera begins recording.
- + Stop: Slide Record Switch back. Camera beeps twice, Record Status LEDs switch off, and the camera powers off.
- + Congrats, your first video!

## + STATUS BUTTON

Pressing the Status Button will:

- Activate Laser Line for 15 seconds.
- Display current battery and memory status.

### **Battery Status LED**

Green: 50% or more

Yellow: 20 to 50%

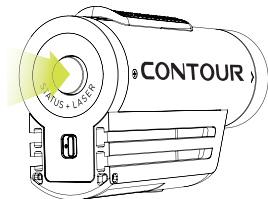
Red: 20% or less

### **Memory Status LED**

Green: 50% or more

Yellow: 20 to 50%

Red: 20% or less



## + ERROR CONDITIONS

- + Battery LED flashes red: the battery is almost fully discharged.
- + Memory LED flashes and there are continuous beeps: the microSD Card cannot be accessed because the card is full, missing, or unformatted (see page 2 for instructions on how to format the microSD Card).

## + **RECHARGE**

To recharge your camera, connect the camera to a PC/Mac using the supplied USB Cable.

- + Red Battery Status LED indicates charging.
- + Charge is 80% complete in one hour.
- + Charge is fully complete when Battery Status LED turns green (about 4 hours).

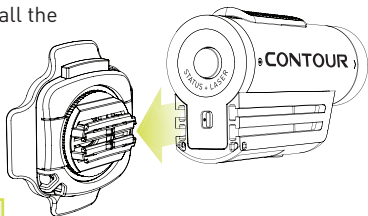
## + **RESETTING YOUR CAMERA**

If your camera is locked up or it will not stop recording, you can reset the camera.

- Slide the Record Switch back to the Stop position.
- Press and release the Reset Button (See 'G' on page 1).
- The camera will shut off all LEDs and power off.
- Your camera will be ready to operate again.

## + ROTATING FLAT SURFACE MOUNT

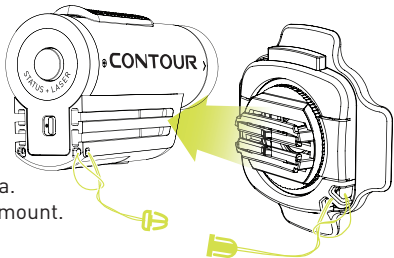
- + It is best to adhere the mount to any surface at room temperature.
- + Locate the best spot for your camera. The mounting area should be smooth and flat.
- + Clean the surface with alcohol and adhere mount. The adhesive takes up to 24 hours to fully cure.
- + Slide your camera onto the rails all the way to the front of the camera.
- + Unlock the mount and rotate camera to the perfect angle.
- + Press "Lock" to lock the camera into place.



**Note:** Before using any of our mounts in recreational activities, you need to determine if the holding power of the mount is appropriate and safe. Contour does not warrant lost or damaged cameras.

## + LEASH

- + Unclip leash.
- + Loop one end of leash through side hole of camera, then out back. It is helpful to use a pin to help thread the leash through the camera.
- + Attach other half of leash to mount.
- + Clip leash together.



**Note:** DO NOT ATTACH THE LEASH TO THE CAMERA WHEN THE CAMERA IS MOUNTED ON HELMET OR GOGGLES, WHEN THE CAMERA WILL BE USED IN HIGH WINDS OR AT HIGH VELOCITIES, OR IN ANY OTHER CIRCUMSTANCES WHEREBY THE CAMERA COULD CAUSE INJURY OR HARM IN THE EVENT THAT IT COMES LOOSE FROM THE MOUNT AND REMAINS TETHERED BY THE LEASH. BY ATTACHING THE LEASH TO THE CAMERA, YOU AGREE TO WAIVE ANY CLAIMS AGAINST CONTOUR, INC. AND ANY OF ITS AFFILIATES, AGENTS, EMPLOYEES, OFFICERS OR DIRECTORS ARISING FROM THE USE OF THE LEASH.



## + **STORYTELLER APP**

Storyteller is a free Mac/PC software application (download from <http://contour.com/software/storyteller>) enabling you to:

- + Create a free account on the <http://contour.com/whatsyourstory> community website where you can share videos to Facebook, Twitter, embed in a website, or email to your friends.
- + Download video from your camera to your computer over USB.
- + Mark the favorite part of your video using Storyteller's 'Awesome Button'.
- + Adjust the settings on your camera.

### **Video Mode:**

- 1080p video at 30 frames per second
- 960p video at 30 frames per second
- 720p video at 30 frames per second (Default)

### **Photo Mode:**

- 5MP photos every 1, 3, 5, 10, 30, 60 seconds

### **Microphone Sensitivity:**

- Audio level

## + **DOWNLOADING FILES WITHOUT STORYTELLER**

- + Connect the camera to any PC or Mac using the supplied USB cable.
- + The camera will mount as a generic storage device.
- + Navigate to the mounted device.
- + Video and still image files are located in the \DCIM\100MEDIA directory.

Video files can be copied to your hard drive and played with any .mov video player (i.e. QuickTime, Windows Media Player, Storyteller, and VLC).

**Mac Users:** Please make certain when deleting files from your microSD card to empty the “trash bin” while the camera is connected to your Mac. Otherwise, the deleted files will remain on your camera’s microSD card in a hidden folder and may prevent subsequent videos from recording properly.

## + **CARING FOR YOUR CAMERA**

- + The ContourROAM is designed to be waterproof to protect the electronics from the ingress of water. It can be immersed in up to 1 meter of water for up to 30 minutes.
- + A Waterproof Case (sold separately) is available for use in water sports where the camera will be immersed deeper than 1 meter, or where strong waves or jets of water will push on the camera's body. Learn more about the waterproof case at <http://contour.com/camera/accessories>.
- + If your camera has been exposed to salt water or mud, we recommend rinsing it with fresh water to remove any salt or mud residue.
- + If your camera is wet, thoroughly dry the area around the Rear Door before opening it. This will prevent water from getting into the rear area of the camera.

## **Cautions and Warranty**

This Important Product Information Guide contains regulatory, safety, handling, disposal and recycling information, as well as the 180-day limited warranty for your ContourROAM camera.

Read all safety information below and operating instructions before using ContourROAM camera to avoid injury. For detailed operating instructions and the latest Important Product Information Guide, go to: <http://contour.com/support>.

**Warning:** Failure to follow these safety instructions could result in fire, electric shock, or other injury or damage.

### **Battery and Handling**

ContourROAM uses a non-removable, non-changeable, rechargeable lithium-ion, 3.7V, 1350mAh battery. The battery may present a hazard if mistreated. Do not disassemble or crush the camera. To charge, only use the Contour USB Cable with a high power USB port on a computer or other device that is compliant with the USB 2.0 or 1.1 standards, or a Contour wall, car, or battery charger.

## Disposal information

Do not dispose of the ContourROAM camera in a fire. Dispose of the camera and its internal battery in accordance with local laws and regulations.

### Correct Disposal of this product



This marking indicates that this product should not be disposed with other household wastes throughout the U.S. To prevent possible harm to the environment or human health from uncontrolled waste disposal, recycle it responsibly to promote the sustainable reuse of material resources. To return your used device, please use proper return and collection systems or contact the retailer where the product was purchased. They can take this product for environmental safe recycling.

**Leash Use:** DO NOT ATTACH THE LEASH TO THE CAMERA WHEN THE CAMERA IS MOUNTED ON HELMET OR GOGGLES, WHEN THE CAMERA WILL BE USED IN HIGH WINDS OR AT HIGH VELOCITIES, OR IN ANY OTHER CIRCUMSTANCES WHEREBY THE CAMERA COULD CAUSE INJURY OR HARM IN THE EVENT THAT IT COMES LOOSE FROM THE MOUNT AND REMAINS TETHERED BY THE LEASH. BY ATTACHING THE LEASH TO THE CAMERA, YOU AGREE TO WAIVE ANY CLAIMS AGAINST CONTOUR, INC.

AND ANY OF ITS AFFILIATES, AGENTS, EMPLOYEES, OFFICERS OR DIRECTORS ARISING FROM THE USE OF THE LEASH.



**FCC information**

ContourROAM Camera

Model: 1600

This device complies with  
Part 15 of the FCC Rules.

Operation is subject to the following two conditions:

- + This device may not cause harmful interference, and
- + This device must accept any interference received, including interference that may cause undesired operation.

**Warning:** Changes or modification to this unit not expressly approved by party responsible for compliance could void the user's authority to operate the equipment. Note: This equipment has been tested and found to comply with the limits for a Class B digital device, pursuant to Part 15 of the FCC Rules. These limits are designed to provide reasonable protection against harmful interference in a residential installation.

This equipment generates, uses and can radiate radio frequency energy and if not installed and used in accordance with instructions, it may cause harmful interference to radio communications. There is no guarantee that interference will not occur in a particular installation. If this equipment does cause harmful interference to radio or television reception, which can be determined by turning the equipment off and on, the user is encouraged to try to correct the interference by one or more of the following measures:

- + Reorient or relocate the receiving antenna.
- + Increase separation between equipment and receiver.
- + Connect the equipment into an outlet on a circuit different from that to which the receiver is connected.
- + Consult the dealer or an experienced radio/TV technician for help.

The CE symbol on your ContourROAM camera indicates that it is in compliance with the Electromagnetic Compatibility (EMC) directive, and Limits and Methods of Measurement of Radio Interference Characteristics of ITE.



## **Industry Canada**

This Class B device meets all requirements of the Canadian Interference-Causing Equipment Regulations.

Cet appareil numérique de la classe B respecte toutes les exigences du Règlement sur le matériel brouleur du Canada.

## **Repairing or Modifying**

Never attempt to repair or modify a ContourROAM camera yourself. Disassembling ContourROAM camera, including the removal of external screws, may cause damage that is not covered under the warranty. The ContourROAM camera does not contain any user-replaceable parts, except the microSD Card.

## **RoHS**

ContourROAM cameras comply with the European Union's RoHS directive 2002/95/EC and similar regulations that may be adopted by other countries for European Sales.

**CONTOUR, INC. LIMITED WARRANTY** Contour, Inc. ("Manufacturer") warrants to the original end user ("Purchaser") that for the 180 days ("Warranty Period"), the ContourROAM camera (excluding any third party



software) and accessories (“Product”) will be free from defects in materials and workmanship when properly installed and used for its intended purpose and in its intended operating environment. This warranty does not apply to any Product that has been: (i) altered, repaired or modified or (ii) damaged or destroyed by accidents or similar events or by any intentional, reckless or negligent acts or omissions of any party. In the event of a defect, return the Product to the original place of purchase or Manufacturer, but only after instructed to do so by Manufacturer. Purchaser shall ship and bear the cost of shipping the Product to Manufacturer and Manufacturer shall bear the cost of shipping the Product back to Purchaser after the completion of service under this limited warranty. Purchaser’s exclusive remedy and Manufacturers entire liability under this warranty will be for Manufacturer at its option to repair or replace the Product or refund purchase price less any rebates. Manufacturer does not warrant against loss of any data (including data stored on Product returned to Manufacturer for service), and assumes no liability for such loss. Purchaser assumes all liability, and as such releases Manufacturer from any liability, for any accident, injury, damage, death, loss, illegal activity or any other claim that may occur resulting from or during use of the Product,

whether or not such use is foreseeable by Manufacturer.

ALL IMPLIED WARRANTIES OF MERCHANTABILITY OR FITNESS FOR A PARTICULAR PURPOSE ARE LIMITED TO THE DURATION OF THE APPLICABLE EXPRESS WARRANTY. ALL OTHER EXPRESS OR IMPLIED CONDITIONS, REPRESENTATIONS AND WARRANTIES, INCLUDING ANY IMPLIED WARRANTY OF NON-INFRINGEMENT, ARE DISCLAIMED. Some jurisdictions do not allow limitations on how long an implied warranty lasts, so the above limitation may not apply to Purchaser. This warranty gives Purchaser specific legal rights, and Purchaser may also have other rights which vary by jurisdiction.

All third party software provided with the Product is provided "AS IS". Purchaser assumes the entire risk as to the quality, performance, accuracy and effect of such software, and should it prove defective, Purchaser, and not Manufacturer, assumes the entire cost of all necessary servicing or repair. TO THE EXTENT NOT PROHIBITED BY LAW, IN NO EVENT WILL MANUFACTURER BE LIABLE FOR ANY LOST DATA, REVENUE OR PROFIT, OR FOR SPECIAL, INDIRECT, CONSEQUENTIAL,

INCIDENTAL OR PUNITIVE DAMAGES, HOWEVER CAUSED REGARDLESS OF THE THEORY OF LIABILITY, ARISING OUT OF OR RELATED TO THE USE OF OR INABILITY TO USE THE PRODUCT, EVEN IF MANUFACTURER HAS BEEN ADVISED OF THE POSSIBILITY OF SUCH DAMAGES. IN NO EVENT WILL MANUFACTURER'S LIABILITY EXCEED THE AMOUNT PAID BY PURCHASER FOR THE PRODUCT.

The foregoing limitations will apply even if any warranty or remedy provided under this Agreement fails of its essential purpose. Some jurisdictions do not allow the exclusion or limitation of incidental or consequential damages, so the above limitation or exclusion may not apply to Purchaser.

## **Contour Disclaimer**

All purchasers, users, and any or all parties involved or engaging in the use of Contour, Inc. ("Contour") products agree to the following:

- ✦ Contour does not promote or endorse high risk, careless and/or dangerous actions when using its products.
- ✦ Contour is not liable for any use or misuse of Contour Products or any video captured that may be considered illegal.
- ✦ Contour is not responsible for any illegal actions taken while recording, attempting to record, or editing video that was captured with our products.
- ✦ Contour Products' primary purpose is recording legal sports activities as seen by all Local, State, Federal, and Country laws.

## **We are here to help**

Keeping Shoot and Share simple is what we are all about. We would love to help you have a great ContourROAM experience so please contact us with any questions you have.

## **How to get service**

To obtain warranty service, register your product at [contour.com](http://contour.com) within 180 days from the date you purchased this product. If service is required, you may be instructed to deliver the product freight prepaid, in either its original packaging or packaging affording an equal degree of protection, to the company and provide proof of purchase in the form of a bill of sale or receipt which evidences that the unit is within the warranty period. Contour will, at its sole discretion, replace or repair the product. Please do not return the product to Contour unless specifically instructed to do so.

**Hours:** Monday - Friday 8am to 5pm PST

**USA toll free phone:** 866.397.6920

**International phone:** +1 206 792.5226

**Email:** [support@contour.com](mailto:support@contour.com)

**Web:** <http://contour.com/support>

Contour Hands-free Camera and/or associated software and other Contour products are protected by copyright, international treaties, and various patents, including: U.S. patents: D616006 and D621435. Other patents are registered or pending in the U.S. and in various countries around the world. Visit [contour.com](http://contour.com) for a list of applicable patents.

All trademarks and registered trademarks mentioned herein are recognized as the property of their respective holders. ContourROAM is a product of Contour, Inc. in Seattle, Washington. <http://contour.com>  
©2011 Contour, Inc. All rights reserved.

---

[contour.com](https://contour.com)